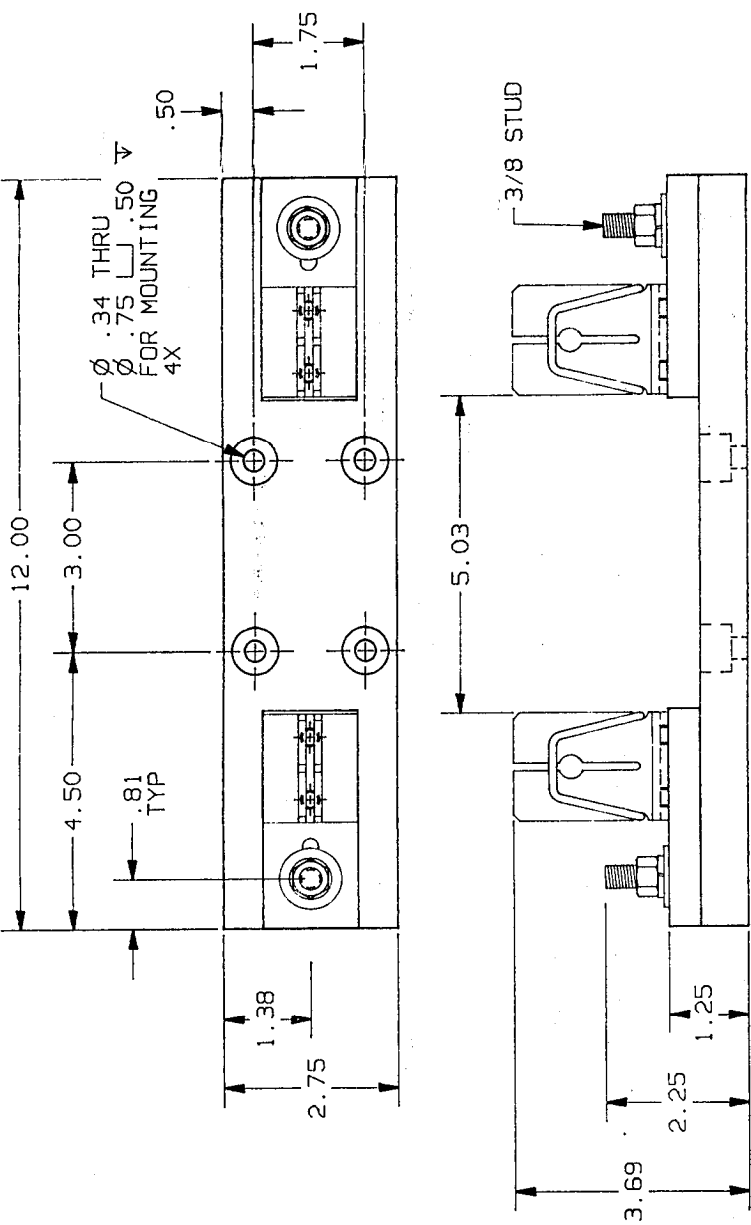


REV	DATE	ECO	DESCRIPTION	BY	CHK
00	12/93	1274	RELEASED	46	06



CONTROLLED COPY  
 Newburyport  
 DATE NOV 16 1994

P/N	CONNECTION	TORQUE	UL	CSA
24011	STUD	(IN-LBS)	FILE NO.	REPORT NO.
24011R	STUD	10K	E52283	IZLT2LR32169

- 3. MATERIAL: BASE - PHENOLIC HARDWARE - TIN PLATED COPPER ALLOY
- 2. REJECTION NOT SHOWN.
- 1. ADD R FOR REJECTION.

NOTES: UNLESS OTHERWISE SPECIFIED

**GOULD** GOLD INC. 1000 W. 10TH ST. DALLAS, TX 75201  
 CIRCUIT PROTECTION DIV. DATE: 12/93  
 DRAWN BY: KDS CHECKED BY: NONE  
 SCALE: NONE  
 REF: 000

TOLEANCES TO BE APPLIED UNLESS OTHERWISE SPECIFIED:  
 FRACTIONS: DECIMALS: DIMENSIONS APPLY AFTER PLATING  
 ALL SURFACES TO BE 12/ UNLESS OTHERWISE SPECIFIED  
 BREAK ALL SHARP EDGES  
 THIS DRAWING AND ALL INFORMATION HEREON ARE THE PROPERTY OF GOULD INC. AND ARE TO BE KEPT CONFIDENTIAL AND NOT REPRODUCED OR COPIED IN ANY MANNER WITHOUT THE WRITTEN PERMISSION OF GOULD INC.

DESCRIPTION: FUSEBLOCK, 250V-400A  
 IDENTIFICATION NO.: 05B0469 00