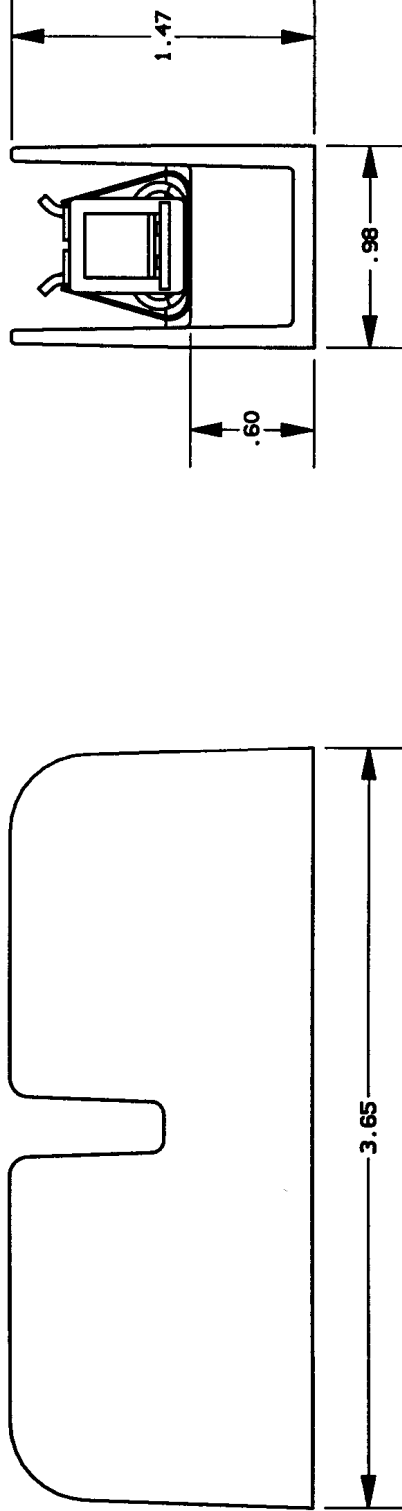
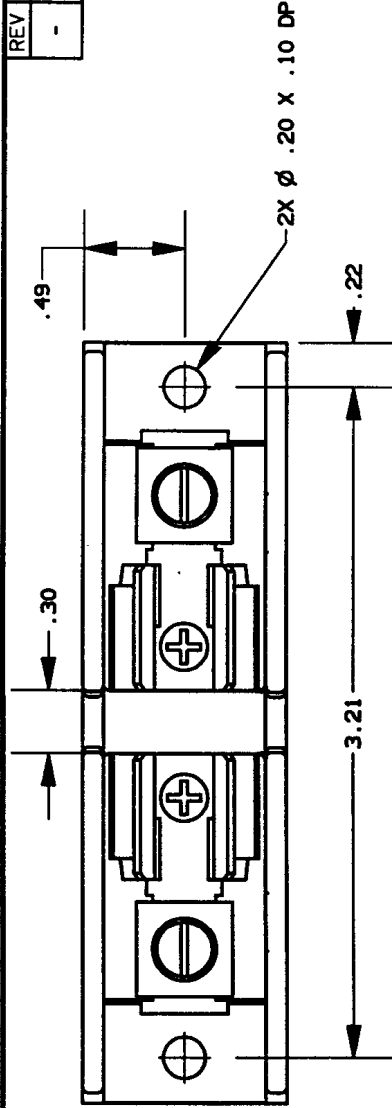


REV	DATE	ECO	DESCRIPTION	BY	CK	APP
-	27AUG97	N/A	INITIAL RELEASE	PRR	N/A	N/A



NOTES:

1. TOLERANCES ±.015 UNLESS OTHERWISE SPECIFIED.
2. MATERIAL COMPOSITION AND RATING THERMOPLASTIC-125°C RTI.

P/N	CONN TYPE	RMS SYM RATING	TORQUE (IN-LBS)	WIRE	U/L	CSA
30356T	CU BOX	200K	35	60/75 CU ONLY	ES2283 IZLT	LR32169

GOULD 374 MERRIMAC STREET
NEWBURYPORT, MA 01950

PRODUCT MANAGER DESIGN ENGINEER

SIGN: *Michael J. ...*
DATE: 9-15-97

SIGN: *Steve M.B.*
DATE: 9/12/97

FUSE BLOCK, 300V-30A, 1 POLE CLASS T

OUTLINE DIMENSIONS
NOT TO BE USED FOR PRODUCTION

700204