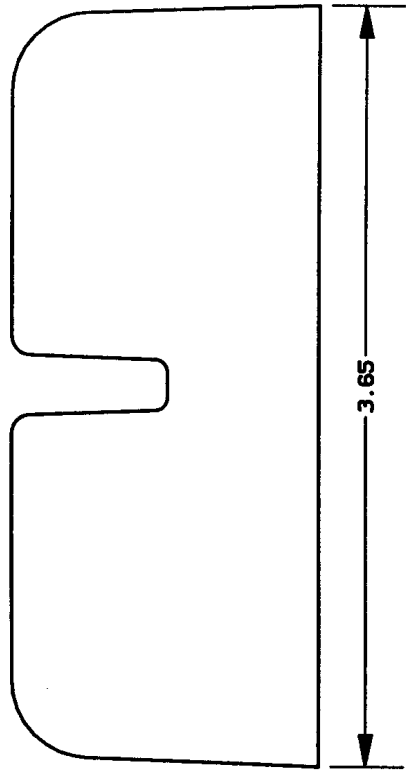
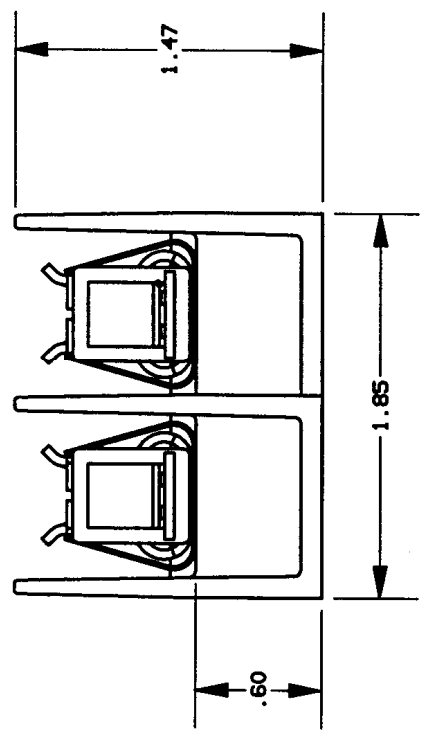
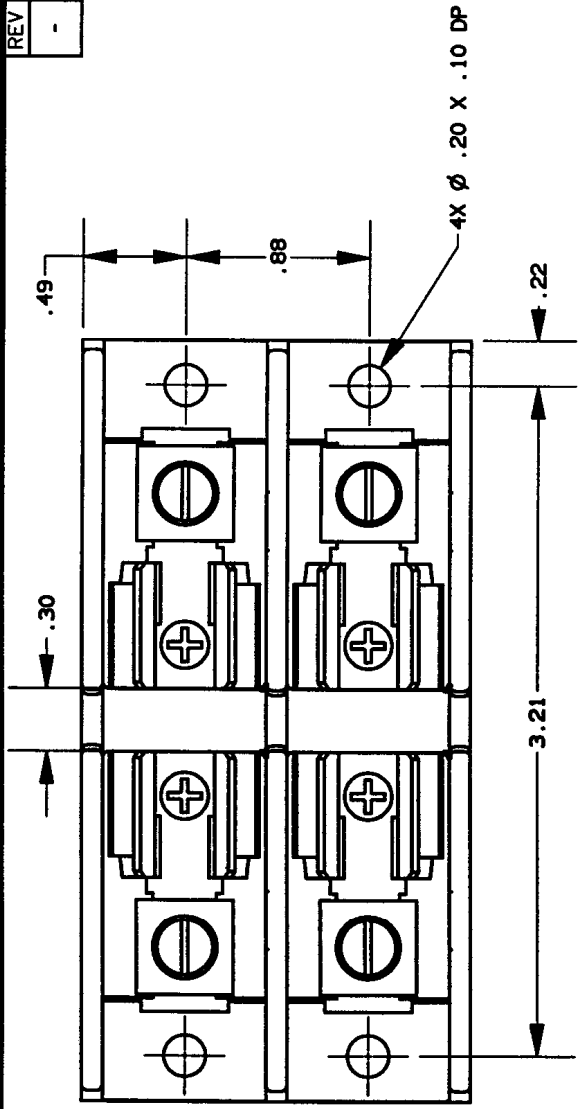


REV	DATE	ECO	DESCRIPTION	BY	CHK APP
-	27AUG97	N/A	INITIAL RELEASE	PRR	N/A/N/A



P/N	CONN TYPE	RMS SYM RATING	TORQUE (IN-LBS)	WIRE	U/L	CSA
30357T	CU BOX	200K	35	60/75 CU ONLY	E52283	LR32169
				°C	FILE NO.	REPORT NO.
					IZLT	

NOTES:

1. TOLERANCES ±.015 UNLESS OTHERWISE SPECIFIED.
2. MATERIAL COMPOSITION AND RATING THERMOPLASTIC-125°C RTI.

GOULD 374 MERRIMAC STREET
NEWBURYPORT, MA 01950

PRODUCT MANAGER
SIGN: *Michael A. Silva*
DATE: 9-15-97

DESIGN ENGINEER
SIGN: *Stacy M. B...*
DATE: 7/27/97

FUSE BLOCK, 300V-30A, 2 POLE CLASS T

OUTLINE DIMENSIONS
NOT TO BE USED FOR PRODUCTION

700205