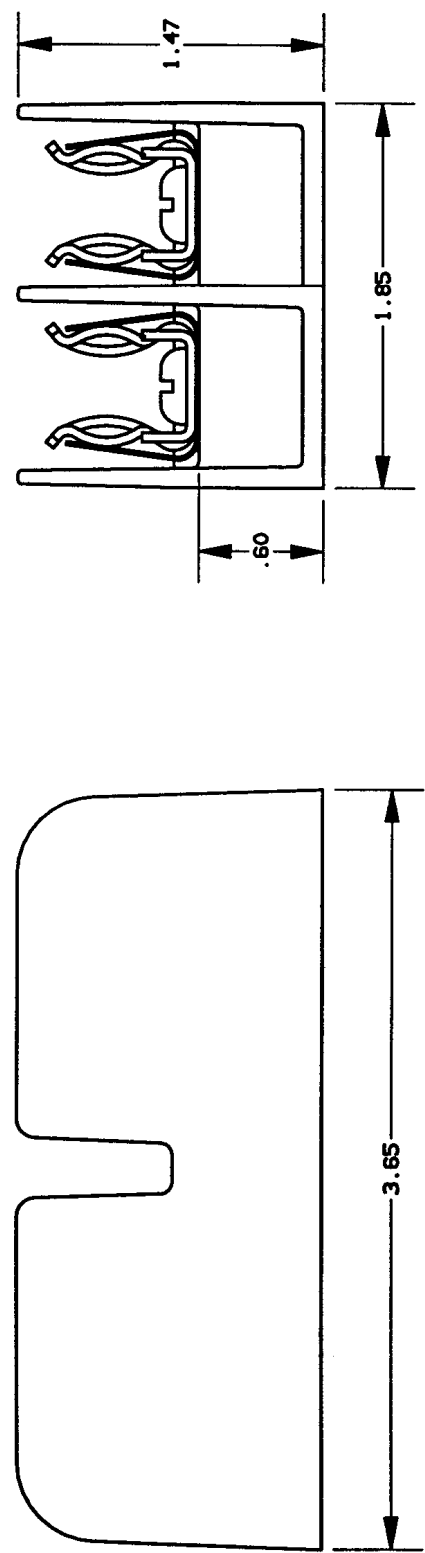
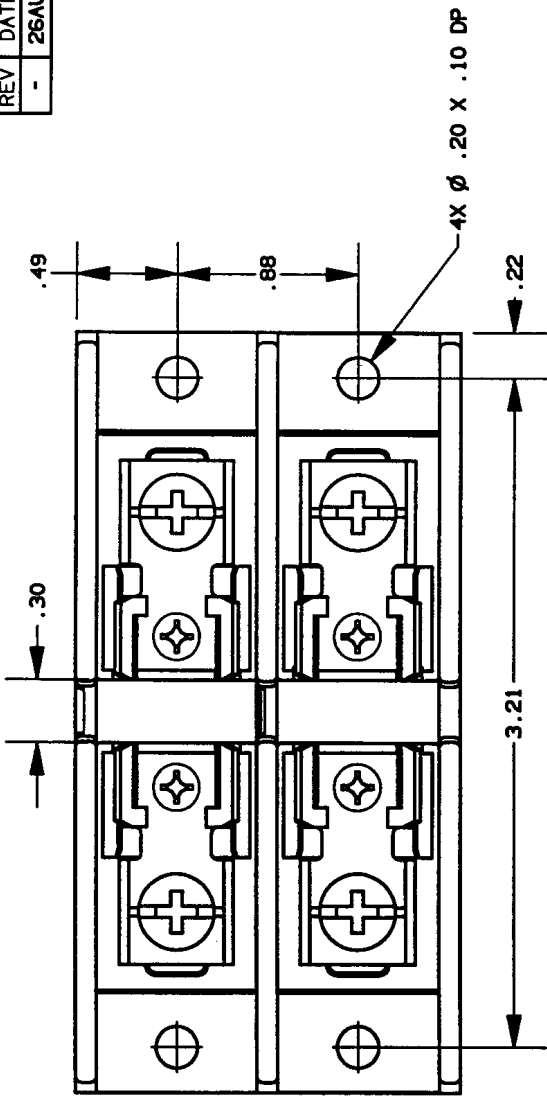


REV	DATE	ECO	DESCRIPTION	BY	CK APP
-	26AUG97	N/A	INITIAL RELEASE	PRR	N/A



P/N	CONN TYPE	RMS SYM RATING	TORQUE (IN-LBS)	WIRE °C	TYPE	FILE NO.	U/L GUIDE NO.	CSA REPORT NO.
30617T	SCREW	200K	20	60/75	CU ONLY	E52283	IZLT2	LR32169

NOTES:
 1. TOLERANCES ±.015 UNLESS OTHERWISE SPECIFIED.
 2. MATERIAL COMPOSITION AND RATING THERMOPLASTIC-125°C RTI.

GOULD
 374 MERRIMAC STREET
 NEWBURYPORT, MA 01950

PRODUCT MANAGER: *Michael Rite*
 DESIGN ENGINEER: *Sh. M. Boy*

SIGN: *Michael Rite* DATE: 9-15-97
 SIGN: *Sh. M. Boy* DATE: 9/19/97

FUSE BLOCK, 300V-60A, 2 POLE CLASS T

OUTLINE DIMENSIONS NOT TO BE USED FOR PRODUCTION

700210