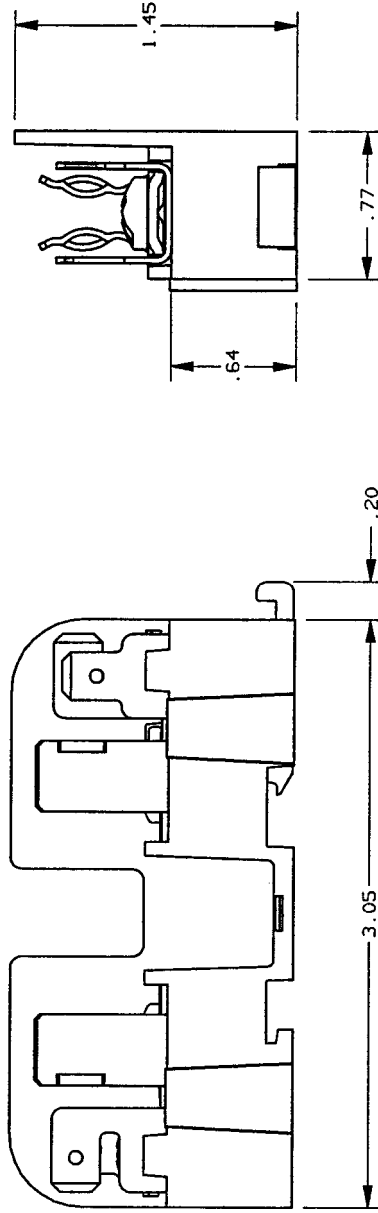
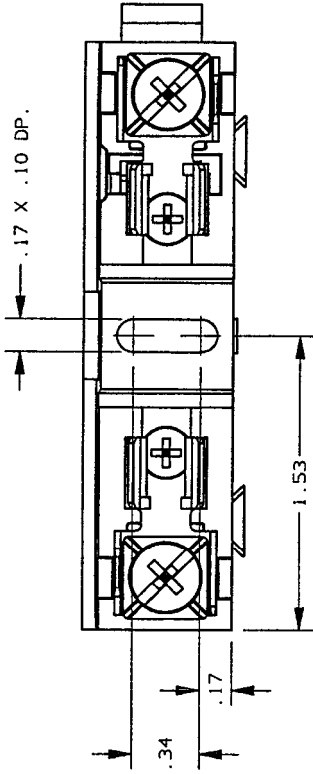


CONTROL No: 120

REV	DATE	ECO	DESCRIPTION	BY	CK	APP
-	4-15-99	N/A	INITIAL RELEASE	LDB	N/A	N/A



NOTES:

1. MATERIAL COMPOSITION AND RATING:
BASE - THERMOPLASTIC 125°C RTI
2. ALL TOLERANCES ± .010 UNLESS OTHERWISE NOTED

P/N	CONN TYPE	RMS SYM RATING	TORQUE (IN-LBS)	WIRE	U/L	CSA
				• C	FILE NO.	REPORT NO.
403206	PRESSURE	100K	20	60/75 CU ONLY	E52283	LR32169
					1ZLT	

GOLD 374 MERRIMAC STREET
NEWBURYPORT, MA 01950

PRODUCT MANAGER: *Nick DeLuca*
SIGN: *Nick DeLuca*
DATE: 5-10-99

DESIGN ENGINEER: *Elybeth J.*
SIGN: *Elybeth J.*
DATE: 5/10/99

FUSE BLOCK, 480V-30A, ADDER
CLASS G

OUTLINE DIMENSIONS
NOT TO BE USED FOR PRODUCTION

700472