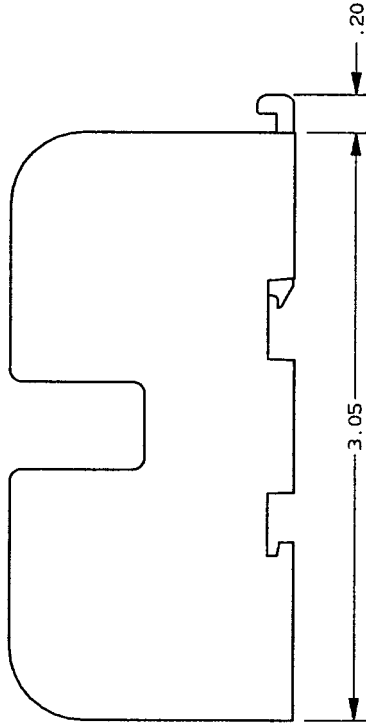
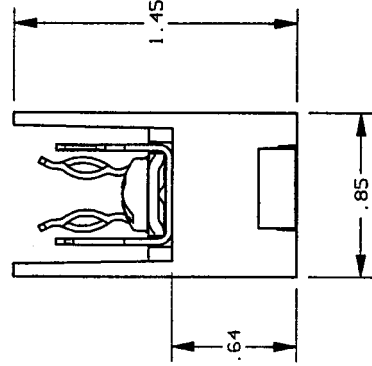
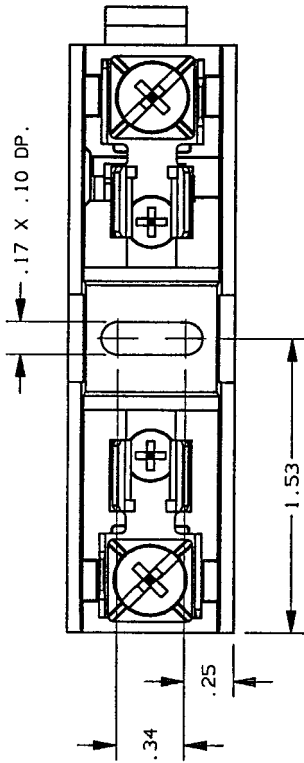


| REV | DATE    | ECO | DESCRIPTION     | BY  | CK  | APP |
|-----|---------|-----|-----------------|-----|-----|-----|
| -   | 4-15-99 | N/A | INITIAL RELEASE | LDB | N/A | N/A |



NOTES:

1. MATERIAL COMPOSITION AND RATING:  
BASE - THERMOPLASTIC 125°C RTI
2. ALL TOLERANCES ± .010 UNLESS OTHERWISE NOTED

| P/N    | CONN TYPE | RMS SYM RATING | TORQUE (IN-LBS) | WIRE          | U/L    | CSA     |
|--------|-----------|----------------|-----------------|---------------|--------|---------|
| 40321G | PRESSURE  | 100K           | 20              | 60/75 CU ONLY | E52283 | LR32169 |

**GOULD** 374 MERRIMAC STREET  
NEWBURYPORT, MA 01950

PRODUCT MANAGER  
SIGN: *Michelle R. [Signature]*  
DATE: 5-10-99

DESIGN ENGINEER  
SIGN: *Shabeta [Signature]*  
DATE: 5/10/99

OUTLINE DIMENSIONS  
NOT TO BE USED FOR PRODUCTION

FUSE BLOCK, 480V-30A, 1 POLE  
CLASS G

700473