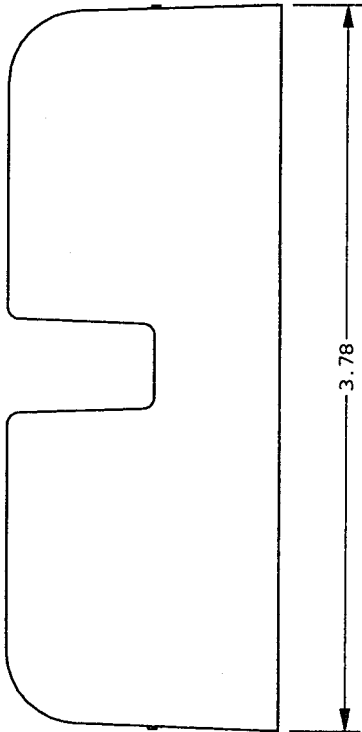
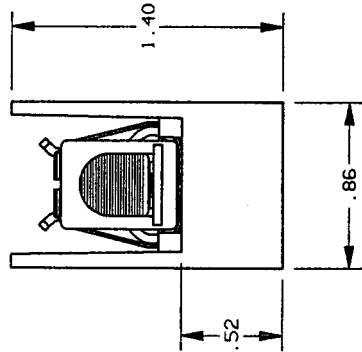
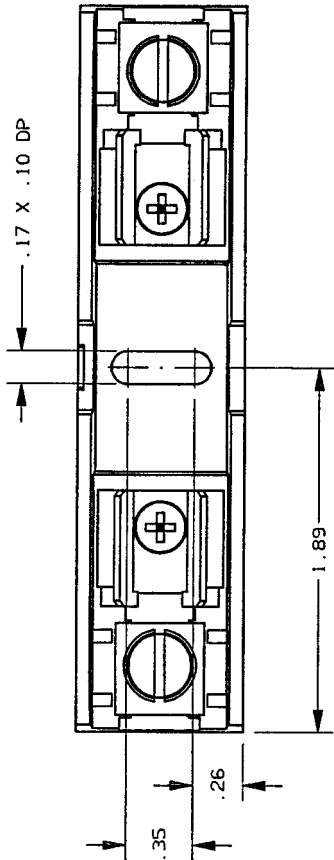


REV	DATE	ECO	DESCRIPTION	BY	CK	APP
-	4-15-99	N/A	INITIAL RELEASE	LDB	N/A	N/A



NOTES:

1. MATERIAL COMPOSITION AND RATING:
BASE - THERMOPLASTIC 125°C RT1
2. ALL TOLERANCES ±.010 UNLESS OTHERWISE NOTED

P/N	CONN TYPE	RMS SYM RATING	TORQUE (IN-LBS)	WIRE		U/L		CSA REPORT NO.
				*C	TYPE	FILE NO.	GUIDE NO.	
40606G	AL BOX	100K	45	60/75	CU-AL	E52283	IZLT	LR32169

GOULD
374 MERRIMAC STREET
NEWBURYPORT, MA 01950

PRODUCT MANAGER
SIGN: *Michael R. ...*
DATE: 5-10-99

DESIGN ENGINEER
SIGN: *Elizabeth ...*
DATE: 5/10/99

OUTLINE DIMENSIONS
NOT TO BE USED FOR PRODUCTION

FUSE BLOCK, 480V-60A, 1 POLE
CLASS G

700481