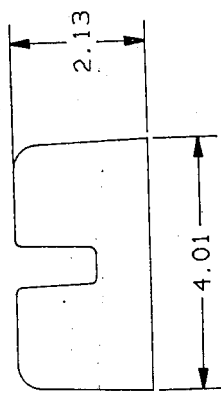
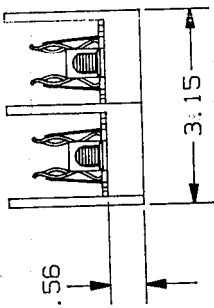
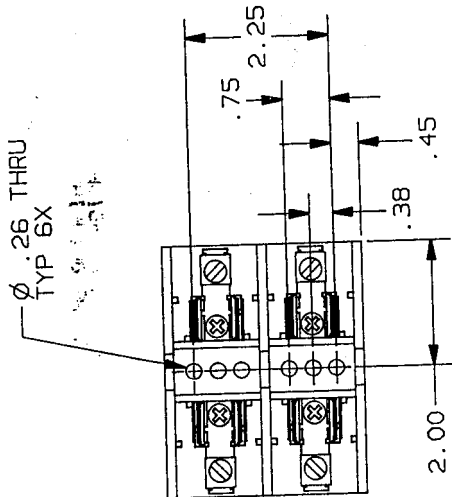


REV	DATE	ECO	DESCRIPTION	BY	CHK
00	8/10/94		RELEASED		

P/N	FUSE CLASS	RMS SYM RATING	TORQUE (IN-LBS)	WIRE		U/L		CSA REPORT NO.
				°C	TYPE	FILE NO.	GUIDE NO.	
60302J 4	J	200K	35	60/75	CU-AL	E52283	IZLT	LR32169
60307J	J	200K	35	60/75	CU-AL			



CONTROLLED COPY
ISSUED TO Newburyport
DATE AUG 11 1994

P/N 60302J
60307J

GOULD GOLD INC.
CIRCUIT PROTECTION DIV.
P.O. BOX 100, FALLS CHURCH, VA 22034

DATE: 8/94
DRAWN BY: KDS
CHECKED BY:

SCALE: NONE

RELEASE TO BE APPLIED UNDER THE FOLLOWING CONDITIONS:
1. THIS DRAWING IS THE PROPERTY OF GOULD INC. AND IS SUBJECT TO RETURN TO GOULD INC. IF NOT AUTHORIZED.
2. THIS DRAWING IS NOT TO BE REPRODUCED OR TRANSMITTED IN ANY FORM OR BY ANY MEANS, ELECTRONIC OR MECHANICAL, INCLUDING PHOTOCOPYING, RECORDING, OR BY ANY INFORMATION STORAGE AND RETRIEVAL SYSTEM.
3. ALL SURFACES TO BE PLATED UNLESS OTHERWISE SPECIFIED.
4. DIMENSIONS APPLY AFTER PLATING UNLESS OTHERWISE SPECIFIED.
5. BREAK ALL SWAMP EDGES.
6. DIMENSIONS ARE IN INCHES UNLESS OTHERWISE SPECIFIED.
7. THIS DRAWING IS THE PROPERTY OF GOULD INC. AND IS SUBJECT TO RETURN TO GOULD INC. IF NOT AUTHORIZED.
8. THIS DRAWING IS NOT TO BE REPRODUCED OR TRANSMITTED IN ANY FORM OR BY ANY MEANS, ELECTRONIC OR MECHANICAL, INCLUDING PHOTOCOPYING, RECORDING, OR BY ANY INFORMATION STORAGE AND RETRIEVAL SYSTEM.

IDENTIFICATION NO. 1 REVISION
FUSE BLOCK 0580486 00

- 4 OMIT SPRING.
 - 3. 600V-30A CLASS J, SPRF 2 POLE
 - 2. SHOWN WITH SPRF.
 - 1. MATL COMPOSITION AND RATING:
BASE-THERMOPLASTIC 125°C RTI
CONNECTOR-ALUM OR COPPER ALLOY
- NOTES: UNLESS OTHERWISE SPECIFIED