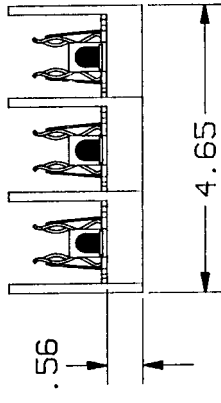
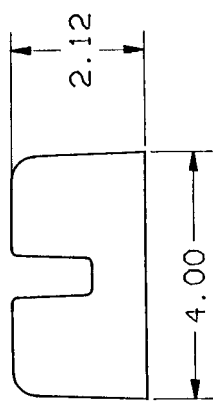
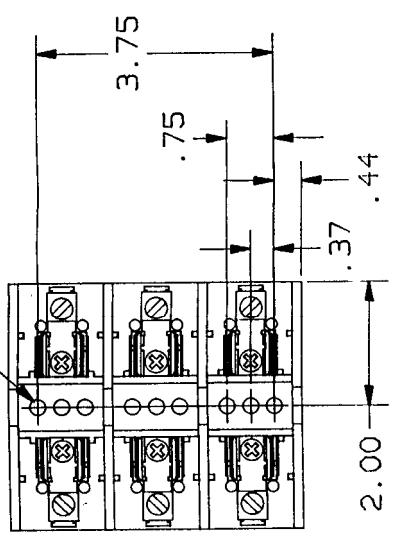


REV	DESCRIPTION	DATE	APPD
00	RELEASED	6/10/91	Pat

UNCONTROLLED COPY
JUN 01 1999

.26 DIA X
.21 DP TYP



P/N	FUSE CLASS	RMS RATING	TORQUE (IN-LBS)	WIRE		U/L		CSA REPORT NO.
				°C	TYPE	FILE NO.	GUIDE NO.	
60303J	J	200K	35	60/75	CU-AL	E52283	IZLT	LR32169
60308J	J	200K	35	60/75	CU-AL			
60358J	J	200K	35	60/75	CU ONLY			

P/N 60303J
P/N 60308J SPRF
P/N 60358J SPRF

NOTES UNLESS OTHERWISE SPECIFIED
- STAMP DIMENSIONS ARE IN 100 PART
- REMOVE ALL BURRS AND SHARP EDGES
- TOLERANCES: XXXX+.0005; XXXX+.005;
XX+.01; X+.04; ANGLES #0°30'

THIS DRAWING AND ALL INFORMATION THEREON IS THE PROPERTY OF GOULD. IT IS CONFIDENTIAL, MUST NOT BE COPIED OR MADE PUBLIC UNLESS AUTHORIZED AND IS SUBJECT TO RETURN ON DEMAND.

- 2 OMIT SPRING.
- 1. MATL COMPOSITION AND RATING: POLYCARBONATE-125°C RTI.

NOTES: UNLESS OTHERWISE SPECIFIED

GOULD SHAWMUT GOULD SHAWMUT P.O. BOX 729 MARBLE FALLS, TX 78654		PRODUCT INFO TITLE FUSE BLOCK, 600V-30A 3 POLE BOX CONN	REV 00
MATERIAL FINISH SIGNATURES DATE DRWN CHKD ENGD APPD		DMG NO 05B0335	FILE NO 1 of 1
ASSEMBLY USED ON REF OR SIM DMG APPD		SCALE NONE	SHEET 1 of 1