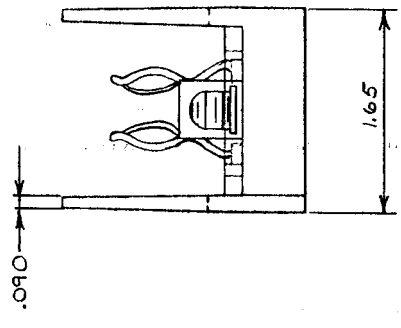
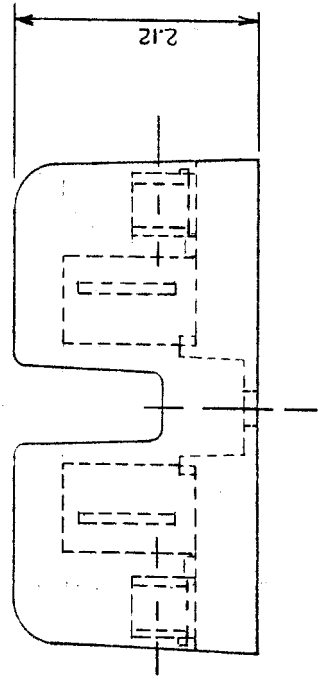
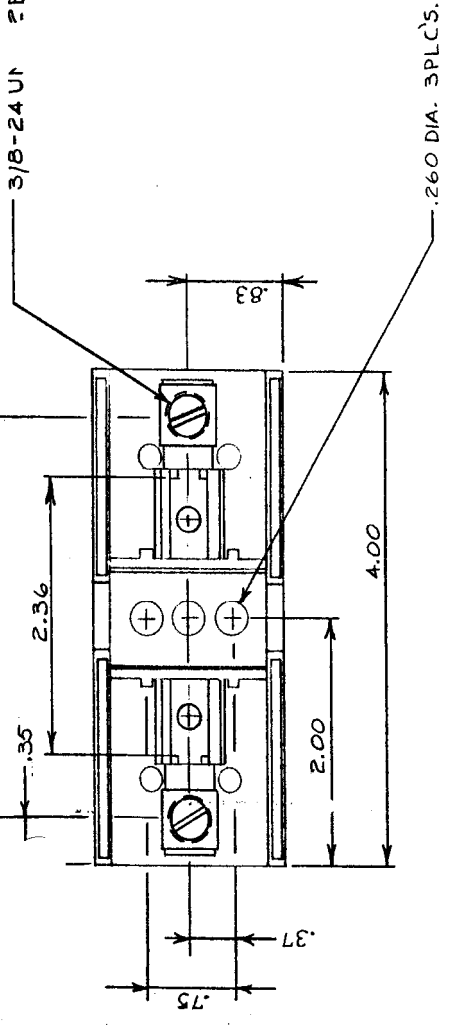


3/8-24 UN 2 B 2 PLCS.



P/N-60301J SPRF 60306J

REV	DATE	DESCRIPTION	TITLE FUSEBLOCK 'J'		
			OUTLINE		
			DWG BY	DATE	DWG NO.
			A. KILBURN	3-2-82	500056
			SHT	1 OF 1	SCALE FULL

Taylor TAYLOR ELECTRIC MARBLE FALLS, TE

(1557)