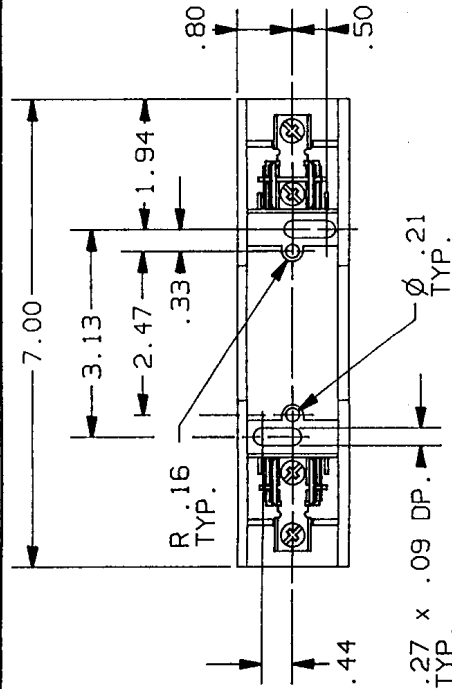
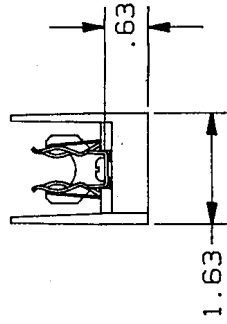
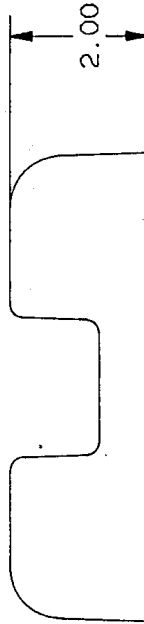


REV	DATE	ECO	DESCRIPTION	BY	CK
00	10/93		RELEASED	GO	CE



P/N.	FUSE CLASS	RMS SYM RATING	TORQUE (IN-LBS)	WIRE		UL		CSA REPORT NO.
				°C	TYPE	FILE NO.	GUIDE NO.	
60311 [2]	H,K	10K	20	60/75	CU ONLY			
60316 [3]	H,K	10K	20	60/75	CU ONLY	E52283	IZLT	LR32169
60316R	R	200K	20	60/75	CU ONLY			



CONTROLLED DOCUMENT
 ISSUED TO Newburyport
 DATE 001 13 1993

P/N 60311 (R)
 P/N 60316 (R) SPRF
 ADD 'R' FOR CLASS R

4. 600V-30A 1 POLE -
 [3] OMIT REJECTION.
 [2] OMIT SPRING AND REJECTION.
 1. MATL COMPOSITION AND RATING:
 THERMOPLASTIC-125°C RTI.

GOULD D. GOULD INC.
 1000 W. WASHINGTON ST.
 CINCINNATI, OHIO 45202
 CIRCUIT PROTECTION DIV.

DATE: 10/93
 DRAWN BY: KS
 CHECKED BY: AE
 DATE: 10/93
 SCALE: NONE
 REF: NONE

IDENTIFICATION NO. & REVISION
 FUSE_BLOCK 05B0454 00

NOTES: