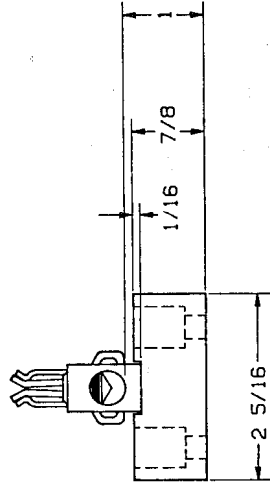
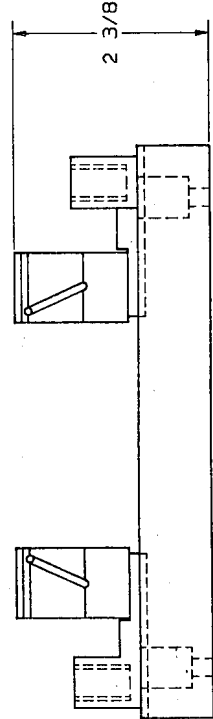
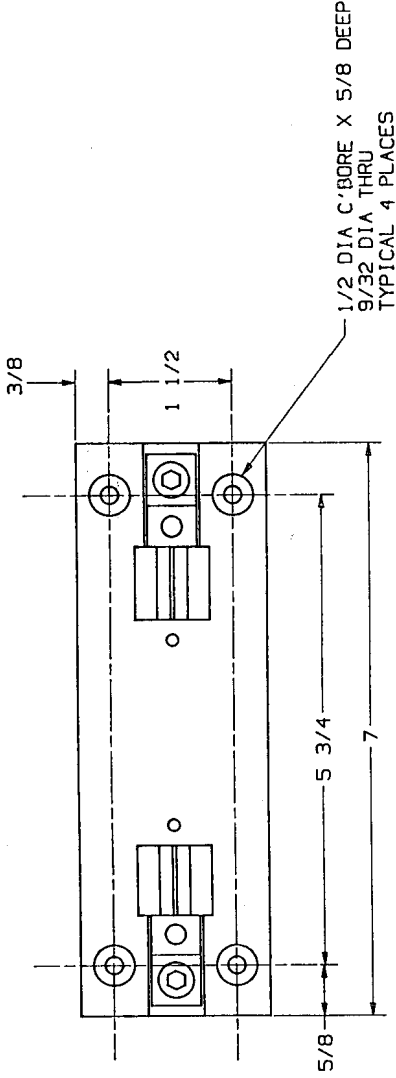


REV	DESCRIPTION	DATE	APPRO
0	RELEASED	10/25/2000	



REFERENCE  
MAR 1 6 1992  
P/N 61036J

 CIRCUIT PROTECTION DIV. NEW BRITAIN, CT 06103		TITLE FUSE BLOCK, 600V-100A SPRF 1 POLE AL BOX	
NOTES UNLESS OTHERWISE SPECIFIED: - ALL DIMENSIONS ARE IN INCHES UNLESS OTHERWISE SPECIFIED. - STAMP OR ETCH DATE AND PART NUMBER ON EACH PART. - REMOVE ALL BURRS AND SHARP EDGES. - XXS, 01, X1, X4, ANGLES 40°/30°; FRACTIONS 1/32		DATE 10/25/2000	REV 00
DRAWN J. J. J.	CHECKED J. J. J.	DESIG NO OSC0219	FILE NO FULL
APPR J. J. J.	DATE 10/25/2000	SCALE FULL	SHEET 1 of 1