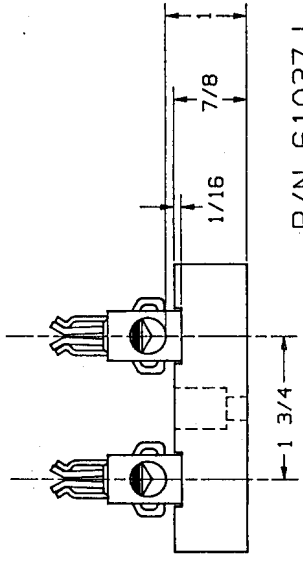
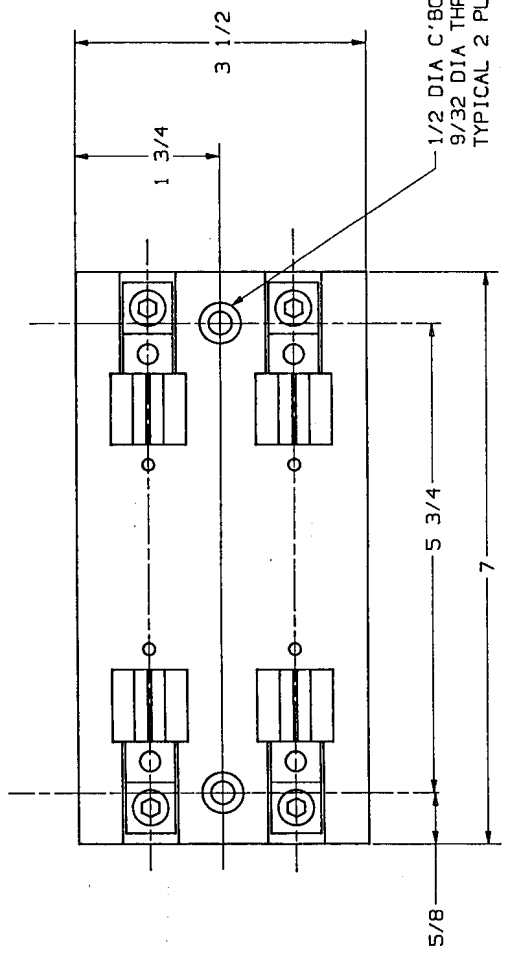


REV	DESCRIPTION	DATE	APPD
0	RELEASED	10/3/81	WJM



P/N 61037J

NOTES UNLESS OTHERWISE SPECIFIED - ALL DIMENSIONS ARE IN INCHES - STAMP OR LEAD MARKING AND SAMP PARTS - TOLERANCES: XXXX.XXXX; .XXX; .005; FRACTIONS 1/32		MATERIAL FINISH DATE 9/17/81	
THIS DRAWING AND ALL INFORMATION THEREON IS THE PROPERTY OF GOULD'S CONFIDENTIAL. MUST NOT BE COPIED OR MADE PUBLIC UNLESS DEMAND. IT IS SUBJECT TO RETURN ON		TYPE FUSE BLOCK, 600V-100A SPRF 2 POLE AL BOX	
DESIGNED BY	WJM	DRAWN BY	WJM
CHECKED BY		DATE	10/3/81
APPD	WJM	SCALE	FULL
FILE #		REV	00
		SHEET	1 of 1

REFERENCE

MAR 16 1992

