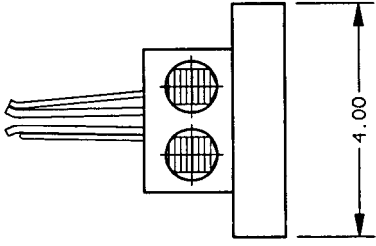
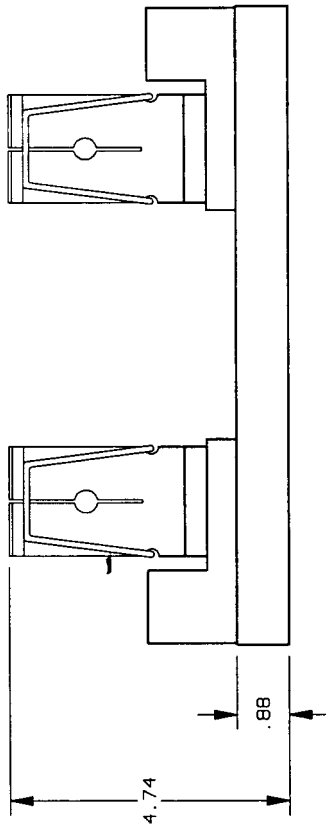
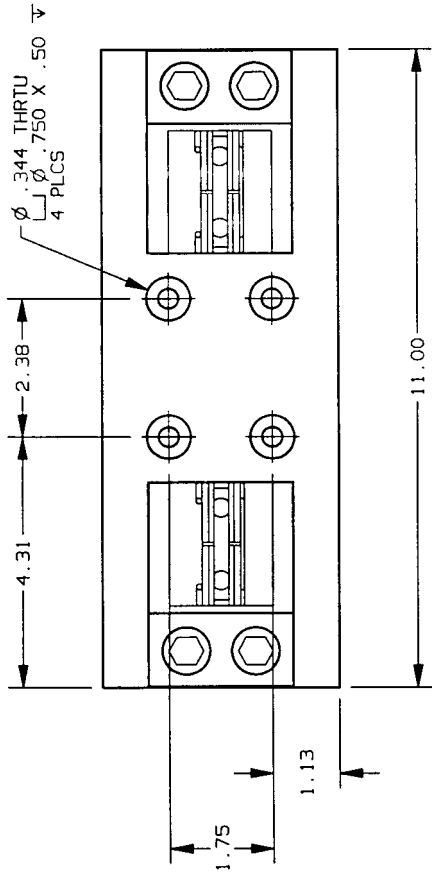


REV	DATE	ECO	DESCRIPTION	BY	CHK	APP
-	11-8-99	N/A	INITIAL RELEASE	CRP	N/A	N/A



NOTES:

1. MATERIAL COMPOSITION AND RATING:  
BASE - THERMOPLASTIC 125°C RTI
2. ALL TOLERANCES ±.010 UNLESS OTHERWISE NOTED

P/N	CONN TYPE	RMS SYM RATING	TORQUE (IN-LBS)	WIRE		U/L		CSA
				•C	TYPE	FILE NO.	GUIDE NO.	
6661J	Cu BOX	200K	375	75	CU ONLY	E52283	1ZLT	LR32169

**GOULD**  
374 MERRIMAC STREET  
NEWBURYPORT, MA 01950

PRODUCT MANAGER  
SIGN: *Nutall*  
DATE: 11-8-99

DESIGN ENGINEER  
SIGN: *Moore*  
DATE: 11/8/99

OUTLINE DIMENSIONS  
NOT TO BE USED FOR PRODUCTION

FUSE BLOCK, 600V-600A, 1 POLE  
CLASS J

700519