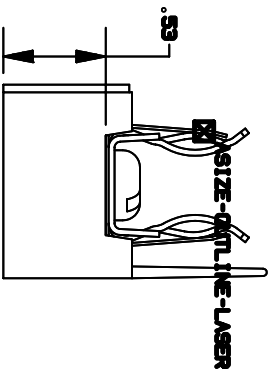
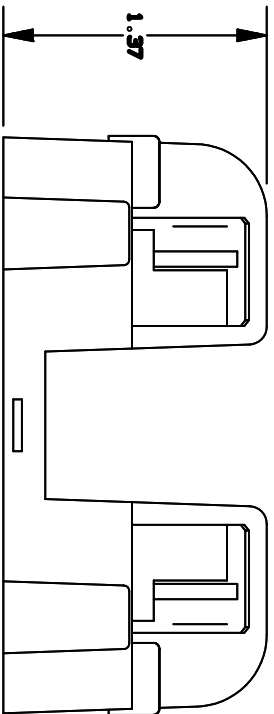
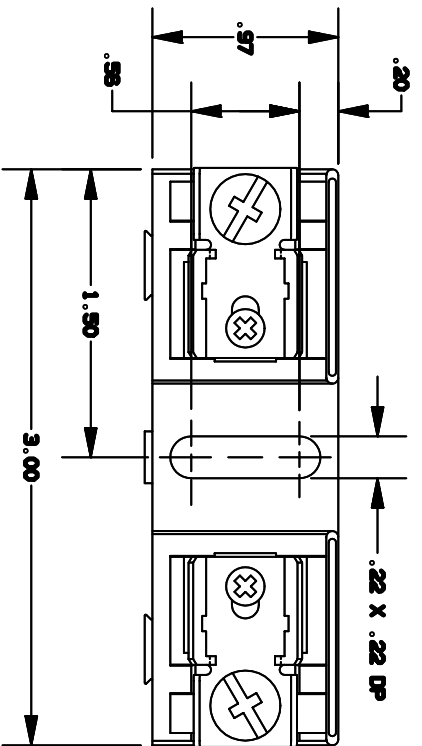


-	6-25-97	N/A	INIT RELEASE	KOH/N/A/N/A
---	---------	-----	--------------	-------------



NOTE:

1. TOLERANCES ±.015 UNLESS OTHERWISE SPECIFIED.
2. MATERIAL COMPOSITION AND RATING THERMOPLASTIC-125°C RTI.

P/N	CONN TYPE	RMS SYM RATING	TORQUE (IN-LBS)	WIRE			CSA	
				°C	TYPE	FILE NO.		
70315	SCREW	200K	20	60/75	CU ONLY	ES2283	12L12	LR32189

FUSE BLOCK, 750V-30A ADDER

700285