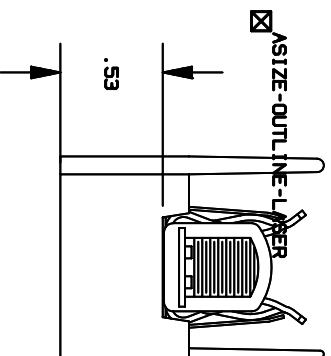
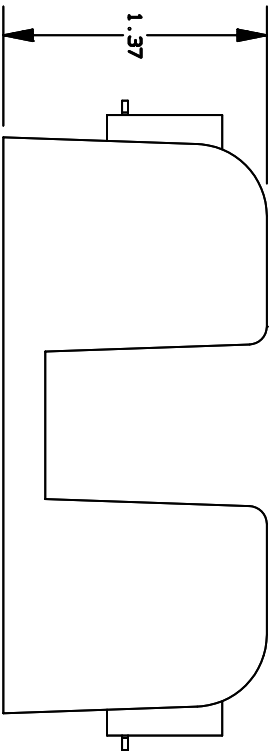
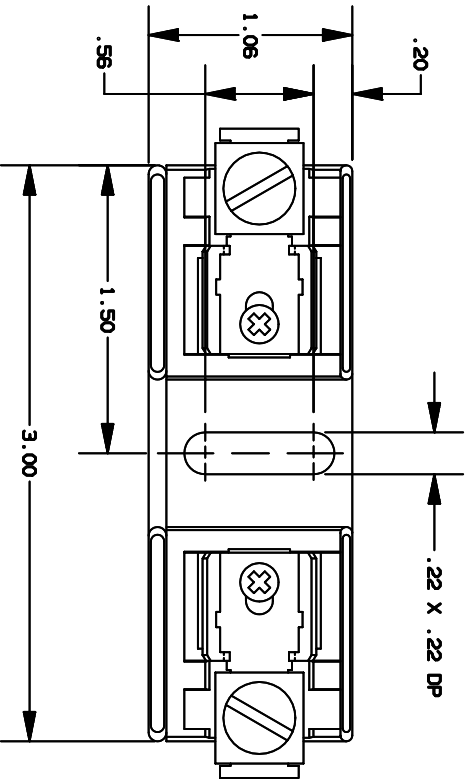


9153

-	100L97	N/A	INIT RELEASE	JRO	N/A	N/A
---	--------	-----	--------------	-----	-----	-----



NOTE:

1. TOLERANCES ± .015 UNLESS OTHERWISE SPECIFIED.
2. MATERIAL COMPOSITION AND RATING THERMOPLASTIC-125°C RT1.

P/N	CONN TYPE	RMS SYM RATING	TORQUE (IN-LBS)	WIRE		U/L		CSA REPORT NO.
				°C	TYPE	FILE NO.	GUIDE NO.	
70356	BDX	200K	35	60/75	CU ONLY	E52283	1ZLT2	LR32169

FUSE BLOCK, 750V-30A 1 POLE

700294