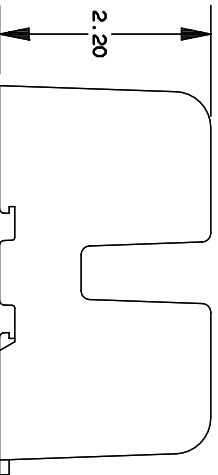
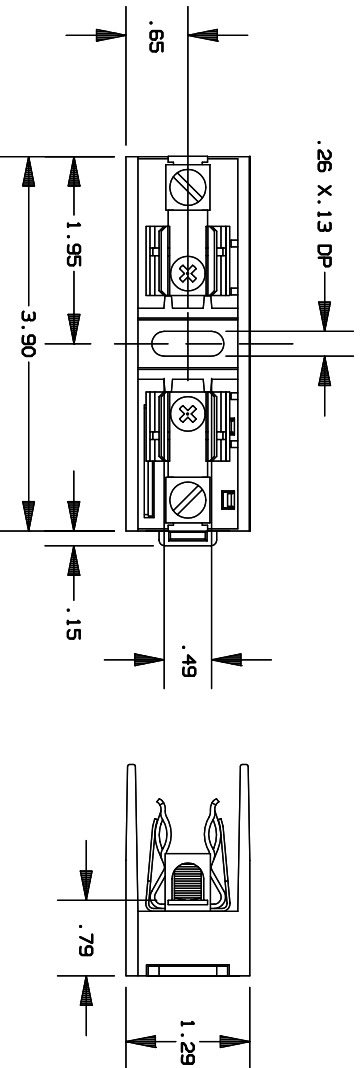


-	4/22/02	N/A	INITIAL RELEASE	LAS	N/A	N/A
---	---------	-----	-----------------	-----	-----	-----



ASIZE-OUTLINE-LASER

NOTES:

1. MATERIAL COMPOSITION AND RATING:
 BASE - THERMOPLASTIC 125°C RTI
 CONNECTOR - ALUMINUM, TIN PLATED.
2. ALL TOLERANCES ±.010 UNLESS OTHERWISE SPECIFIED.

P/N	FUSE CLASS	RMS SYM RATING	TORQUE (IN-LBS)	WIRE		UL	
				°C	TYPE	FILE NO.	GUIDE NO.
U71006	22x58mm	200K	35	60/75	CU-AL	E52283	IZLT2

FUSE BLOCK, 750V-100A, 1 POLE

22x58mm FUSES

700815