

CL-14 SERIES

E-RATED/MEDIUM VOLTAGE FUSES



HIGHLIGHTS:

- E-Rated
- UL Listed 5.5kV
- Complies with ANSI C37.46

APPLICATIONS:

- Protection for 5.5kV or 15.5kV transformers or distribution systems



DEFINITIONS:

E-rating

E-rated fuses operate as follows:
 100E or less - must melt in 300 seconds (5 mins.) at 200 to 240% of E (ampere) rating.
 Over 100E - must melt in 600 seconds (10 mins.) at 220 to 264% of E (ampere) rating.
 Example - A 100E fuse must melt in 300 seconds with an applied current of 200 to 240 amperes.

General Purpose Current-Limiting Fuse

A general purpose current-limiting power fuse is one that is capable of interrupting all currents from its rated interrupting rating down to the current that causes melting of the fusible element in one hour.

5kV AND 15kV CLIP-LOCK MOUNTED FUSES

Amp-trap® CL-14 E-rated 5kV and 15kV fuses have 3" diameter barrels and mount in unique cam-locking clips, for superior connections as well as easy installation and replacement. They are UL listed as "general purpose current-limiting fuses" and are for use indoors (or outdoors in a weatherproof enclosure). The unique time-current characteristic of Ferraz Shawmut E-rated fuses allows them to be closely sized to transformer full load rated current, as recommended by IEEE guidelines, without being affected by normal magnetizing inrush current. CL-14 fuses are typically sized at transformer rated current of 133%, thereby providing superior overall protection.

E

Features/Benefits

- **UL Listed** for compatibility with UL listed equipment
- **Clip-Lock mounting** for reliable high integrity connection into circuit
- **Current limiting** for superior equipment protection
- **Blown-fuse indicator** gives positive identification of open fuse
- **Non-venting** for silent operation
- **Metal Embossed Catalog Number** and manufacturing date for lasting identification

Ratings

- **A055C**
AC: 10E to 600E
 5.5kV, 63kA I.R. Sym.
- **A155C**
AC: 10E TO 300E
 15.5kV, 50kA I.R. Sym

Approvals

- UL Listed to JEEG, "Fuses Over 600 Volts"
 UL File # E143362

Clip-Lock Clips for CL-14 Fuses:

228-700-520 (One pair of clips)

CL-14

E-RATED/MEDIUM VOLTAGE FUSES/A055C

5.5kV Clip-Lock Mounted

Catalog Numbering System

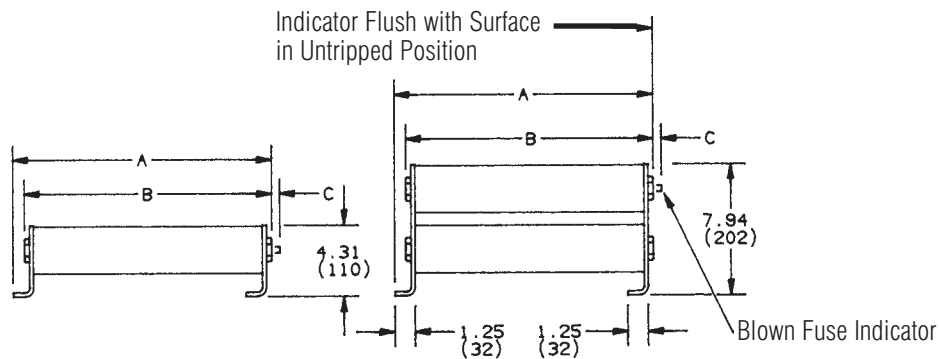
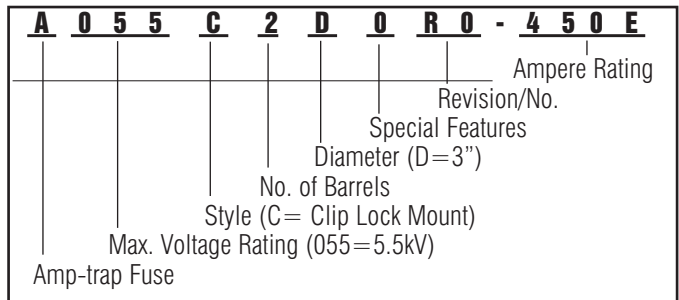


Figure A

Figure B

Catalog Numbers, Ratings, Dimensions, CL-14 Series, 5.5kV

NEW CATALOG NUMBER	OLD CATALOG NUMBER	AMPERE RATING	NUMBER OF BARRELS	FIG.	DIMENSIONS Inches (mm)			INTERRUPTING RATING RMS SYM.* AMPERES
					A	B	C	
5.5kV Max. – Clip-Lock Style – 15.25" (387mm) Clip Centers – 3" (76.2mm) Barrel Diameter								
A055C1DORO-10E 15E 20E 25E 30E 40E 50E 65E 80E 100E 125E 150E	225-007-937 938 939 940 941 942 943 944 945 946 947 948	10E 15E 20E 25E 30E 40E 50E 65E 80E 100E 125E 150E	1	A	16.81 (427)	16.12 (410)	0.5 (13) Tripped Force 2 lbs.	63,000
5.5kV Max. – Clip Lock Style – 21.25" (540mm) Clip Centers – 3" (76.2mm) Barrel Diameter								
A055C1DORO-200E 250E 300E 400E	225-007-949 950 951 952	200E 250E 300E 400E	1	A	22.81 (580)	22.12 (562)	0.5 (13) Tripped Force 2 lbs.	63,000
A055C2DORO-450E 500E 600E	953 954 955	450E 500E 600E	2	B				

* RMS ASYM. AMPERES = RMS SYM. AMPERES x 1.6

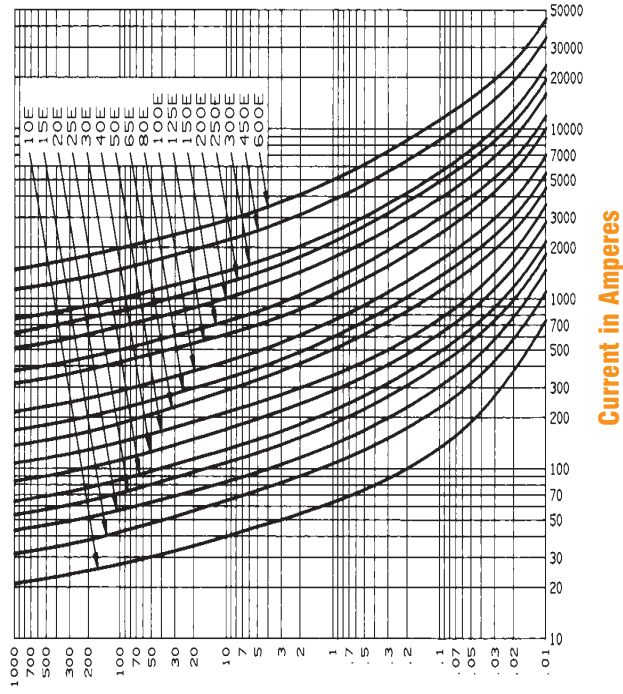
CL-14

E-RATED/MEDIUM VOLTAGE FUSES/A055C

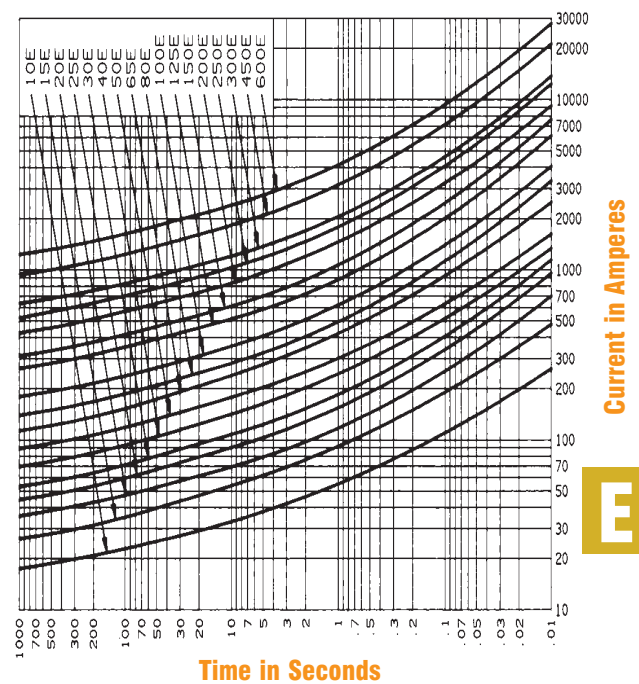
A055C1DORO – 10E to 400E and A055C2DORO – 450E to 600E

A055C1DORO – 10E to 400E and A055C2DORO – 450E to 600E

Total Clearing Time – Current Data, 5.5kV Fuses



Minimum Melting Time – Current Data, 5.5kV Fuses



E

A055C1DORO – 10E to 400E and A055C2DORO – 450E to 600E

Peak Let-Thru Current Data, 5.5kV CL-14 Fuses

