

# ENCLOSED DISCONNECT SWITCHES



Ferraz Shawmut Enclosed Disconnect Switches are designed to meet customer's requirements for compact and durable individual disconnecting means. Both fusible and non-fusible versions are available in a variety of enclosure types resulting in one of the largest available ranges in the industry. The enclosed disconnect switch range offers safety, ease of installation, space savings and operational convenience to end-users.

Ferraz Shawmut features NEMA style, Type 4X non-metallic and stainless steel enclosures that are extremely durable and provide the ultimate protection for harsh environments and conditions. These rugged enclosure types are often used in areas where "wash down" applications are required.

## HIGHLIGHTS:

- Suitable for use as Motor Disconnect
- Meets OSHA lockout/tagout requirements
- NEMA rated enclosures
- Knockouts provided
- Easy screw mounting
- Selector or pistol handles in black or red/yellow
- Clear ON/OFF indication

## APPLICATIONS:

- Load break switching
- Separate disconnect means within sight of all motor loads to comply with NEC® Article 430
- Circuit isolation
- Service entrance ratings available
- Food Processing
- Conveyor Systems
- Harsh Industrial Environments

## Ratings

- Fusible:  
600 VAC: 30 to 800 A
- Non-Fusible:  
600 VAC: 16 to 1200 A

## Approvals

- UL 508A
- UL508
- UL98
- CSA
- IEC versions available



# ENCLOSED DISCONNECT SWITCHES

## NEMA Enclosure Type

3 Pole, 600V 16-125A, Non-Fused, Selector Handle

|        |            | 1            | 3R           | 12           | 4            | 4X Stainless | 4X Non-Metallic |
|--------|------------|--------------|--------------|--------------|--------------|--------------|-----------------|
| UL 508 | Amp Rating | Catalog No.  | Catalog No.  | Catalog No.  | Catalog No.  | Catalog No.  | Catalog No.     |
|        | 16         | EALBS163RSO  | EFLBS163RSO  | ECLBS163RSO  | EHLBS163RSO  | EBLBS163RSO  | EDLBS163RSO     |
|        | 20         | EALBS203RSO  | EFLBS203RSO  | ECLBS203RSO  | EHLBS203RSO  | EBLBS203RSO  | EDLBS203RSO     |
|        | 25         | EALBS253RSO  | EFLBS253RSO  | ECLBS253RSO  | EHLBS253RSO  | EBLBS253RSO  | EDLBS253RSO     |
|        | 30         | EALBS303RSO  | EFLBS303RSO  | ECLBS303RSO  | EHLBS303RSO  | EBLBS303RSO  | EDLBS303RSO     |
|        | 40         | EALBS403RSO  | EFLBS403RSO  | ECLBS403RSO  | EHLBS403RSO  | EBLBS403RSO  | EDLBS403RSO     |
|        | 60         | EALBS603RSO  | EFLBS603RSO  | ECLBS603RSO  | EHLBS603RSO  | EBLBS603RSO  | EDLBS603RSO     |
|        | 80         | EALBS803RSO  | EFLBS803RSO  | ECLBS803RSO  | EHLBS803RSO  | EBLBS803RSO  | EGLBS803RSO     |
|        | 100        | EALBS1003RSO | EFLBS1003RSO | ECLBS1003RSO | EHLBS1003RSO | EBLBS1003RSO | EGLBS1003RSO    |
|        | 125        | EALBS1253RSO | EFLBS1253RSO | ECLBS1253RSO | EHLBS1253RSO | EBLBS1253RSO | EGLBS1253RSO    |

## NEMA Enclosure Type

3 Pole, 600V 16-1200A, Non-Fused, Pistol Handle

|        |              | 1            | 3R           | 12           | 4            | 4X Stainless | 4X Non-Metallic |
|--------|--------------|--------------|--------------|--------------|--------------|--------------|-----------------|
| UL 508 | Amp Rating   | Catalog No.  | Catalog No   | Catalog No   | Catalog No   | Catalog No   | Catalog No      |
|        | 16           | EALBS163RP0  | EFLBS163RP0  | ECLBS163RP0  | EHLBS163RP0  | EBLBS163RP0  | EDLBS163RP0     |
|        | 20           | EALBS203RP0  | EFLBS203RP0  | ECLBS203RP0  | EHLBS203RP0  | EBLBS203RP0  | EDLBS203RP0     |
|        | 25           | EALBS253RP0  | EFLBS253RP0  | ECLBS253RP0  | EHLBS253RP0  | EBLBS253RP0  | EDLBS253RP0     |
|        | 30           | EALBS303RP0  | EFLBS303RP0  | ECLBS303RP0  | EHLBS303RP0  | EBLBS303RP0  | EDLBS303RP0     |
|        | 40           | EALBS403RP0  | EFLBS403RP0  | ECLBS403RP0  | EHLBS403RP0  | EBLBS403RP0  | EDLBS403RP0     |
|        | 60           | EALBS603RP0  | EFLBS603RP0  | ECLBS603RP0  | EHLBS603RP0  | EBLBS603RP0  | EDLBS603RP0     |
|        | 80           | EALBS803RSP0 | EFLBS803RP0  | ECLBS803RP0  | EHLBS803RP0  | EBLBS803RP0  | EGLBS803RP0     |
|        | 100          | EALBS1003RP0 | EFLBS1003RP0 | ECLBS1003RP0 | EHLBS1003RP0 | EBLBS1003RP0 | EGLBS1003RP0    |
|        | 125          | EALBS1253RP0 | EFLBS1253RP0 | ECLBS1253RP0 | EHLBS1253RP0 | EBLBS1253RP0 | EGLBS1253RP0    |
| UL 98  | 30           | EASC303RP0   | EFSC303RP0   | ECSC303RP0   | EHSC303RP0   | EBSC303RP0   | EGSC303RP0      |
|        | 60           | EASC603RP0   | EFSC603RP0   | ECSC603RP0   | EHSC603RP0   | EBSC603RP0   | EGSC603RP0      |
|        | 100          | EASC1003RP0  | EFSC1003RP0  | ECSC1003RP0  | EHSC1003RP0  | EBSC1003RP0  | EGSC1003RP0     |
|        | 200          | EASC2003RP0  | EFSC2003RP0  | ECSC2003RP0  | EHSC2003RP0  | EBSC2003RP0  | EGSC2003RP0     |
|        | 400          | EASC4003RP0  | EFSC4003RP0  | ECSC4003RP0  | EHSC4003RP0  | EBSC4003RP0  | EGSC4003RP0     |
|        | 600          | EASC6003RP0  | EFSC6003RP0  | ECSC6003RP0  | EHSC6003RP0  | EBSC6003RP0  | EGSC6003RP0     |
|        | 800          | EASC8003RP0  | EFSC8003RP0  | ECSC8003RP0  | EHSC8003RP0  | EBSC8003RP0  | EGSC8003RP0     |
|        | 1000         | EASC10003RP0 | EFSC10003RP0 | ECSC10003RP0 | EHSC10003RP0 | EBSC10003RP0 | EGSC10003RP0    |
| 1200   | EASC12003RP0 | EFSC12003RP0 | ECSC12003RP0 | EHSC12003RP0 | EBSC12003RP0 | EGSC12003RP0 |                 |

## NEMA Enclosure Type

3 Pole, 600V 30-800A, Fused, Pistol Handle

|       |             | 1            | 3R           | 12           | 4            | 4X Stainless | 4X Non-Metallic |              |
|-------|-------------|--------------|--------------|--------------|--------------|--------------|-----------------|--------------|
| UL 98 | Amp Rating  | Fuse Type    | Catalog No.  | Catalog No.  | Catalog No.  | Catalog No.  | Catalog No.     |              |
|       | 30, compact | CC           | EAFBCC303RP0 | EFFBCC303RP0 | ECFBCC303RP0 | EHFBCC303RP0 | EBFBCC303RP0    | EGFBCC303RP0 |
|       | 30, compact | J            | EAFBJC303RP0 | EFFBJC303RP0 | ECFBJC303RP0 | EHFBJC303RP0 | EBFBJC303RP0    | EGFBJC303RP0 |
|       | 30          | CC           | EAFBC303RP0  | EFFBC303RP0  | ECFBC303RP0  | EHFBC303RP0  | EBFBC303RP0     | EGFBC303RP0  |
|       | 30          | J            | EAFBJ303RP0  | EFFBJ303RP0  | ECFBJ303RP0  | EHFBJ303RP0  | EBFBJ303RP0     | EGFBJ303RP0  |
|       | 60          | J            | EAFBJ603RP0  | EFFBJ603RP0  | ECFBJ603RP0  | EHFBJ603RP0  | EBFBJ603RP0     | EGFBJ603RP0  |
|       | 100         | J            | EAFBJ1003RP0 | EFFBJ1003RP0 | ECFBJ1003RP0 | EHFBJ1003RP0 | EBFBJ1003RP0    | EGFBJ1003RP0 |
|       | 200         | J            | EAFBJ2003RP0 | EFFBJ2003RP0 | ECFBJ2003RP0 | EHFBJ2003RP0 | EBFBJ2003RP0    | EGFBJ2003RP0 |
|       | 400         | J            | EAFBJ4003RP0 | EFFBJ4003RP0 | ECFBJ4003RP0 | EHFBJ4003RP0 | EBFBJ4003RP0    | EGFBJ4003RP0 |
|       | 600         | J            | EAFBJ6003RP0 | EFFBJ6003RP0 | ECFBJ6003RP0 | EHFBJ6003RP0 | EBFBJ6003RP0    | EGFBJ6003RP0 |
| 800   | L           | EAFBL8003RP0 | EFFBL8003RP0 | ECFBL8003RP0 | EHFBL8003RP0 | EBFBL8003RP0 | EGFBL8003RP0    |              |

Notes: Each of the above enclosed switches are provided with a red/yellow handle. Simply replace the "RS" or "RP" with a "BS" or "BP" to receive with a black selector or black pistol handle at no additional cost. The non-metallic enclosures are comprised of "ED" polycarbonate boxes and "EG" polyester fiberglass boxes.



# ENCLOSED DISCONNECT SWITCHES

## Part Numbering Guideline

| ED             | LBS         | 30         | 3               | R   | S   | O                                      | -             |
|----------------|-------------|------------|-----------------|---|---|--|---------------|
| Enclosure Type | Switch Type | Amp Rating | Number of Poles | Color of handle:<br>R = Red/yellow<br>B = Black | Type of handle:<br>S = Selector<br>P = Pistol | Auxiliary contacts:<br>See chart below | Other options |

## Pre-break, Pre-mounted Auxiliary Contacts

| Switch Style       |                      | Catalog Suffix |      |           |
|--------------------|----------------------|----------------|------|-----------|
|                    |                      | 1              | 2    | 3         |
| Non-fusible, UL508 | LBSM, 16 – 25A       | N/A            | N/A  | 1 NO + NC |
| Non-fusible, UL508 | LBSR, 30 – 125A      | 1 NO           | 1 NC | 1 NO + NC |
| Non-fusible, UL98  | Sirco, 30 – 1200A    | 1 NO           | 1 NC | 1 NO + NC |
| Fusible, UL98      | Fuserbloc, 30 – 800A | 1 NO           | 1 NC | 1 NO + NC |

Note: The letter "O" suffix is standard in part number and means enclosed switch shipped with no auxiliary contacts. Replacing the letter "O" with a 1, 2 or 3 per above provides the type of auxiliary contact indicated. N/A in the chart above indicates that this particular option is not available for this configuration. Please consult the factory if other auxiliary contact configurations are desired.

## Other Options

Please consult factory for availability and suffix for any other options including:

- Neutral blocks
- Special Request
  - Pilot Lights
  - Pushbuttons
  - 2 or 3 position selector switches

Terminal lugs/shrouding are integral to the following enclosed disconnect switches:

- LBS (16-125A)
- SCV (30-100A)
- FBCC/FBJ (30-60A)

For all other enclosed switches, terminal lugs are available for separate purchase where the number following the TL represents the ampacity of the lug.

Catalog numbers for the lugs appear below:

- TL100      - TL600
- TL200      - TL800
- TL400      - TL1200

For those enclosed disconnects where terminal lugs or customer supplied ring lug connections are made, shrouding for the line side of the switch is always supplied. Load side shrouds are also available for separate purchase with part numbering as follows:

- |            |           |
|------------|-----------|
| Non-Fused  | Fused     |
| - TS200SC  | - TS100FB |
| - TS400SC  | - TS200FB |
| - TS600SC  | - TS400FB |
| - TS1200SC | - TS800FB |

## All enclosed switches are provided with a standard integral ground lug

| Box type | Switch type  | Ground lug wire size    |
|----------|--------------|-------------------------|
| IP65     | 16 – 30A     | 6mm <sup>2</sup> (~#10) |
| NEMA/UL  | 16–60A       | (2) #4 – #14            |
| NEMA/UL  | 80 – 125A    | (2) 1/0 – #14           |
| NEMA/UL  | 200 – 400A   | (2)600kcmil – #2        |
| NEMA/UL  | 600A & above | Consult Factory         |

| *IEC Enclosure Type (IP65) |             |
|----------------------------|-------------|
| Amp Rating                 | Catalog #   |
| 16                         | EELBS163RSO |
| 20                         | EELBS203RSO |
| 25                         | EELBS253RSO |
| 30                         | EELBS303RSO |

Note: EDLBS 40A, 60A & 80A use grounding stud

## Enclosure Application Information

| Enclosure Type |      | Intended Use and Description   |
|----------------|------|--|
| NEMA           | 1    | Indoor use primarily to provide a degree of protection against contact with the enclosed equipment and against a limited amount of falling dirt.   |
| NEMA           | 3R   | Intended for outdoor use primarily to provide a degree of protection against rain, sleet, and damage from external ice formation.  |
| NEMA           | 12   | Intended for indoor use primarily to provide a degree of protection against circulating dust, falling dirt, and dripping non-corrosive liquids.  |
| NEMA           | 4    | Intended for indoor or outdoor use primarily to provide a degree of protection against windblown dust and rain, splashing water, hose-directed water, and damage from external ice formation.    |
| NEMA           | 4X   | Intended for indoor or outdoor use primarily to provide a degree of protection against corrosion, wind blown dust and rain, splashing water, hose-directed water, and damage from ice formation. |
| IEC            | IP65 | Total protection against dust and protected against water jets from any hosed direction.   |

# ENCLOSED DISCONNECT SWITCHES

| Switch Rating                       | Enclosure Type  | H height (in) | W width (in) | D depth (in) | MH mounting height (in) | MW mounting width (in) | Shipping Weight (lbs) | Figure No. |
|-------------------------------------|-----------------|---------------|--------------|--------------|-------------------------|------------------------|-----------------------|------------|
| 16-25A (LBSM) UL508 Selector Handle | 1               | 6.00          | 6.00         | 4.00         | 6.75                    | 4.00                   | 5.1                   | 2          |
|                                     | 3R              | 6.00          | 6.00         | 4.00         | 7.00                    | 3.00                   | 5.4                   | 1          |
|                                     | 12              | 6.00          | 6.00         | 4.00         | 6.75                    | 4.00                   | 5.1                   | 1          |
|                                     | 4               | 6.00          | 6.00         | 4.00         | 6.75                    | 4.00                   | 5.1                   | 1          |
|                                     | 4X Stainless    | 6.00          | 6.00         | 4.00         | 6.75                    | 4.00                   | 5.1                   | 1          |
|                                     | 4X Non-Metallic | 7.00          | 5.03         | 4.02         | 6.18                    | 4.21                   | 1.6                   | 2          |
| 16-25A (LBSM) UL508 Pistol Handle   | IP65            | 5.20          | 3.43         | 2.99         | 4.69                    | 2.91                   | 0.8                   | 2          |
|                                     | 1               | 5.91          | 5.91         | 4.72         | 5.20                    | 3.35                   | 5.6                   | 2          |
|                                     | 3R              | 8.00          | 8.00         | 6.00         | 9.00                    | 3.00                   | 9.6                   | 1          |
|                                     | 12              | 5.91          | 5.91         | 4.72         | 5.20                    | 3.35                   | 5.6                   | 2          |
|                                     | 4               | 5.91          | 5.91         | 4.72         | 5.20                    | 3.35                   | 5.7                   | 2          |
|                                     | 4X Stainless    | 5.91          | 5.91         | 4.72         | 5.20                    | 3.35                   | 5.8                   | 2          |
| 30A (LBSR) UL508 Pistol Handle      | 4X Non-Metallic | 7.00          | 5.03         | 5.02         | 6.18                    | 4.21                   | 2.5                   | 2          |
|                                     | 1               | 6.00          | 6.00         | 4.00         | 6.75                    | 4.00                   | 5.2                   | 2          |
|                                     | 3R              | 6.00          | 6.00         | 4.00         | 7.00                    | 3.00                   | 5.5                   | 1          |
|                                     | 12              | 6.00          | 6.00         | 4.00         | 6.75                    | 4.00                   | 5.2                   | 1          |
|                                     | 4               | 6.00          | 6.00         | 4.00         | 6.75                    | 4.00                   | 5.4                   | 1          |
|                                     | 4X Stainless    | 6.00          | 6.00         | 4.00         | 6.75                    | 4.00                   | 5.2                   | 1          |
| 40A (LBSR) UL508 Selector Handle    | 4X Non-Metallic | 7.00          | 5.03         | 4.02         | 6.18                    | 4.21                   | 1.8                   | 2          |
|                                     | 1               | 5.91          | 5.91         | 4.72         | 5.20                    | 3.35                   | 5.7                   | 2          |
|                                     | 3R              | 8.00          | 8.00         | 6.00         | 9.00                    | 3.00                   | 9.7                   | 1          |
|                                     | 12              | 5.91          | 5.91         | 4.72         | 5.20                    | 3.35                   | 5.7                   | 2          |
|                                     | 4               | 5.91          | 5.91         | 4.72         | 5.20                    | 3.35                   | 5.8                   | 2          |
|                                     | 4X Stainless    | 5.91          | 5.91         | 4.72         | 5.20                    | 3.35                   | 5.9                   | 2          |
| 40A (LBSR) UL508 Pistol Handle      | 4X Non-Metallic | 7.00          | 5.03         | 5.02         | 6.18                    | 4.21                   | 2.6                   | 2          |
|                                     | 1               | 6.00          | 6.00         | 4.00         | 6.75                    | 4.00                   | 5.2                   | 2          |
|                                     | 3R              | 6.00          | 6.00         | 4.00         | 7.00                    | 3.00                   | 5.5                   | 1          |
|                                     | 12              | 6.00          | 6.00         | 4.00         | 6.75                    | 4.00                   | 5.2                   | 1          |
|                                     | 4               | 6.00          | 6.00         | 4.00         | 6.75                    | 4.00                   | 5.4                   | 1          |
|                                     | 4X Stainless    | 6.00          | 6.00         | 4.00         | 6.75                    | 4.00                   | 5.2                   | 1          |
| 60A (LBSR) UL508 Selector Handle    | 4X Non-Metallic | 7.00          | 5.03         | 5.02         | 6.18                    | 4.21                   | 5.9                   | 2          |
|                                     | 1               | 5.91          | 5.91         | 4.72         | 5.20                    | 3.35                   | 5.8                   | 2          |
|                                     | 3R              | 8.00          | 8.00         | 6.00         | 9.00                    | 3.00                   | 9.7                   | 1          |
|                                     | 12              | 5.91          | 5.91         | 4.72         | 5.20                    | 3.35                   | 5.8                   | 2          |
|                                     | 4               | 5.91          | 5.91         | 4.72         | 5.20                    | 3.35                   | 5.8                   | 2          |
|                                     | 4X Stainless    | 5.91          | 5.91         | 4.72         | 5.20                    | 3.35                   | 5.8                   | 2          |
| 60A (LBSR) UL508 Pistol Handle      | 4X Non-Metallic | 7.00          | 5.03         | 5.02         | 6.18                    | 4.21                   | 5.9                   | 2          |
|                                     | 1               | 8.00          | 8.00         | 6.00         | 5.00                    | 7.00                   | 9.1                   | 2          |
|                                     | 3R              | 8.00          | 8.00         | 6.00         | 9.00                    | 3.00                   | 9.9                   | 1          |
|                                     | 12              | 8.00          | 6.00         | 6.00         | 8.75                    | 4.00                   | 8.8                   | 1          |
|                                     | 4               | 7.87          | 5.91         | 4.72         | 5.20                    | 3.35                   | 7.3                   | 2          |
|                                     | 4X Stainless    | 7.87          | 5.91         | 4.72         | 5.20                    | 3.35                   | 7.3                   | 2          |
| 80A (LBSR) UL508                    | 4X Non-Metallic | 7.00          | 5.03         | 5.02         | 6.18                    | 4.21                   | 2.9                   | 2          |
|                                     | 1               | 10.00         | 8.00         | 6.00         | 7.00                    | 7.00                   | 10.6                  | 2          |
|                                     | 3R              | 10.00         | 8.00         | 6.00         | 11.00                   | 3.00                   | 11.1                  | 1          |
|                                     | 12              | 10.00         | 8.00         | 6.00         | 10.75                   | 6.00                   | 12.3                  | 1          |
|                                     | 4               | 10.00         | 8.00         | 6.00         | 10.75                   | 6.00                   | 11.8                  | 1          |
|                                     | 4X Stainless    | 9.84          | 7.87         | 5.91         | 9.13                    | 5.31                   | 9.8                   | 2          |
| 100A (LBSR) UL508                   | 4X Non-Metallic | 9.30          | 7.31         | 4.96         | 8.74                    | 4.01                   | 6.0                   | 1          |
|                                     | 1               | 10.00         | 8.00         | 6.00         | 7.00                    | 7.00                   | 10.6                  | 2          |
|                                     | 3R              | 10.00         | 8.00         | 6.00         | 11.00                   | 3.00                   | 11.1                  | 1          |
|                                     | 12              | 10.00         | 8.00         | 6.00         | 10.75                   | 6.00                   | 12.3                  | 1          |
|                                     | 4               | 10.00         | 8.00         | 6.00         | 10.75                   | 6.00                   | 11.8                  | 1          |
|                                     | 4X Stainless    | 9.84          | 7.87         | 5.91         | 9.13                    | 5.31                   | 9.8                   | 2          |

| Switch Rating     | Enclosure Type  | H height (in) | W width (in) | D depth (in) | MH mounting height (in) | MW mounting width (in) | Shipping Weight (lbs) | Figure No. |
|-------------------|-----------------|---------------|--------------|--------------|-------------------------|------------------------|-----------------------|------------|
| 125A (LBSR) UL508 | 1               | 10.00         | 8.00         | 6.00         | 7.00                    | 7.00                   | 10.6                  | 2          |
|                   | 3R              | 10.00         | 8.00         | 6.00         | 11.00                   | 3.00                   | 11.1                  | 1          |
|                   | 12              | 10.00         | 8.00         | 6.00         | 10.75                   | 6.00                   | 12.4                  | 1          |
|                   | 4               | 10.00         | 8.00         | 6.00         | 10.75                   | 6.00                   | 11.9                  | 1          |
|                   | 4X Stainless    | 9.84          | 7.87         | 5.91         | 9.13                    | 5.31                   | 9.8                   | 2          |
|                   | 4X Non-Metallic | 11.31         | 9.31         | 5.43         | 10.75                   | 6.02                   | 7.6                   | 1          |
| 30A (SCV) UL98    | 1               | 8.00          | 8.00         | 6.00         | 5.00                    | 5.00                   | 9.3                   | 2          |
|                   | 3R              | 8.00          | 8.00         | 6.00         | 9.00                    | 3.00                   | 10.2                  | 1          |
|                   | 12              | 7.87          | 5.91         | 4.72         | 5.20                    | 3.35                   | 7.6                   | 1          |
|                   | 4               | 7.87          | 5.91         | 4.72         | 5.20                    | 3.35                   | 7.6                   | 1          |
|                   | 4X Stainless    | 9.844         | 7.87         | 5.91         | 9.13                    | 5.31                   | 10.1                  | 2          |
|                   | 4X Non-Metallic | 9.30          | 7.31         | 4.96         | 8.74                    | 4.01                   | 6.2                   | 1          |
| 60A (SCV) UL98    | 1               | 12.00         | 12.00        | 6.00         | 9.00                    | 11.00                  | 16.0                  | 2          |
|                   | 3R              | 12.00         | 10.00        | 6.00         | 13.00                   | 3.00                   | 17.6                  | 1          |
|                   | 12              | 12.00         | 12.00        | 6.00         | 12.75                   | 10.00                  | 21.6                  | 1          |
|                   | 4               | 12.00         | 12.00        | 6.00         | 12.75                   | 10.00                  | 21.9                  | 1          |
|                   | 4X Stainless    | 11.81         | 9.84         | 5.91         | 11.10                   | 7.28                   | 17.4                  | 2          |
|                   | 4X Non-Metallic | 13.30         | 11.29        | 7.10         | 12.75                   | 8.01                   | 12.9                  | 1          |
| 100A (SCV) UL98   | 1               | 12.00         | 12.00        | 6.00         | 9.00                    | 11.00                  | 16.0                  | 2          |
|                   | 3R              | 12.00         | 10.00        | 6.00         | 13.00                   | 3.00                   | 17.6                  | 1          |
|                   | 12              | 12.00         | 12.00        | 6.00         | 12.75                   | 10.00                  | 21.6                  | 1          |
|                   | 4               | 12.00         | 12.00        | 6.00         | 12.75                   | 10.00                  | 21.9                  | 1          |
|                   | 4X Stainless    | 12.00         | 10.00        | 6.00         | 12.75                   | 8.00                   | 18.6                  | 1          |
|                   | 4X Non-Metallic | 13.30         | 11.29        | 7.10         | 12.75                   | 8.01                   | 12.9                  | 1          |
| 200A (SCV) UL98   | 1               | 30.00         | 20.00        | 8.62         | 27.50                   | 15.00                  | 68.6                  | 2          |
|                   | 3R              | 30.00         | 14.00        | 8.00         | 31.00                   | 13.00                  | 88.6                  | 1          |
|                   | 12              | 30.00         | 20.00        | 8.00         | 28.50                   | 18.50                  | 70.1                  | 2          |
|                   | 4               | 30.00         | 20.00        | 8.00         | 28.50                   | 18.50                  | 70.1                  | 2          |
|                   | 4X Stainless    | 30.00         | 20.00        | 10.00        | 28.50                   | 18.50                  | 71.0                  | 1          |
|                   | 4X Non-Metallic | 32.87         | 25.00        | 11.81        | 34.72                   | 22.91                  | 59.3                  | 1          |
| 400A (SCV) UL98   | 1               |               |              |              |                         |                        |                       |            |
|                   | 3R              |               |              |              |                         |                        |                       |            |
|                   | 12              |               |              |              |                         |                        |                       |            |
|                   | 4               |               |              |              |                         |                        |                       |            |
|                   | 4X Stainless    |               |              |              |                         |                        |                       |            |
|                   | 4X Non-Metallic |               |              |              |                         |                        |                       |            |
| 600A (SC) UL98    | 1               |               |              |              |                         |                        |                       |            |
|                   | 3R              |               |              |              |                         |                        |                       |            |
|                   | 12              |               |              |              |                         |                        |                       |            |
|                   | 4               |               |              |              |                         |                        |                       |            |
|                   | 4X Stainless    |               |              |              |                         |                        |                       |            |
|                   | 4X Non-Metallic |               |              |              |                         |                        |                       |            |
| 800A (SC) UL98    | 1               |               |              |              |                         |                        |                       |            |
|                   | 3R              |               |              |              |                         |                        |                       |            |
|                   | 12              |               |              |              |                         |                        |                       |            |
|                   | 4               |               |              |              |                         |                        |                       |            |
|                   | 4X Stainless    |               |              |              |                         |                        |                       |            |
|                   | 4X Non-Metallic |               |              |              |                         |                        |                       |            |
| 1000A (SC) UL98   | 1               |               |              |              |                         |                        |                       |            |
|                   | 3R              |               |              |              |                         |                        |                       |            |
|                   | 12              |               |              |              |                         |                        |                       |            |
|                   | 4               |               |              |              |                         |                        |                       |            |
|                   | 4X Stainless    |               |              |              |                         |                        |                       |            |
|                   | 4X Non-Metallic |               |              |              |                         |                        |                       |            |
| 1200A (SC) UL98   | 1               |               |              |              |                         |                        |                       |            |
|                   | 3R              |               |              |              |                         |                        |                       |            |
|                   | 12              |               |              |              |                         |                        |                       |            |
|                   | 4               |               |              |              |                         |                        |                       |            |
|                   | 4X Stainless    |               |              |              |                         |                        |                       |            |
|                   | 4X Non-Metallic |               |              |              |                         |                        |                       |            |

Consult factory for 400A and above ratings since enclosure sizes can vary depending upon wiring method employed.



# FUSED DISCONNECT SWITCHES

| Switch Rating           | Enclosure Type  | H height (in) | W width (in) | D depth (in) | MH mounting height (in) | MW mounting width (in) | Shipping Weight (lbs) | Figure No. |
|-------------------------|-----------------|---------------|--------------|--------------|-------------------------|------------------------|-----------------------|------------|
| 30A (FBCC) Compact UL98 | 1               | 8.00          | 8.00         | 6.00         | 5.00                    | 7.00                   | 9.4                   | 2          |
|                         | 3R              | 8.00          | 8.00         | 6.00         | 9.00                    | 3.00                   | 10.3                  | 1          |
|                         | 12              | 9.84          | 7.87         | 5.91         | 9.13                    | 5.31                   | 10.8                  | 1          |
|                         | 4               | 9.84          | 7.87         | 5.91         | 9.13                    | 5.31                   | 10.8                  | 1          |
|                         | 4X Stainless    | 9.84          | 7.87         | 5.91         | 9.13                    | 5.31                   | 11.3                  | 2          |
|                         | 4X Non-Metallic | 11.31         | 9.31         | 5.43         | 10.75                   | 6.02                   | 7.8                   | 1          |
| 30A (FBCC) UL98         | 1               | 10.00         | 10.00        | 6.00         | 7.00                    | 9.00                   | 13.9                  | 2          |
|                         | 3R              | 8.00          | 8.00         | 6.00         | 9.00                    | 3.00                   | 12.1                  | 1          |
|                         | 12              | 10.00         | 8.00         | 6.00         | 10.75                   | 6.00                   | 14.4                  | 1          |
|                         | 4               | 10.00         | 8.00         | 6.00         | 10.75                   | 6.00                   | 13.9                  | 1          |
|                         | 4X Stainless    | 11.81         | 9.84         | 5.91         | 11.10                   | 7.28                   | 16.5                  | 1          |
|                         | 4X Non-Metallic | 11.31         | 9.31         | 6.93         | 10.75                   | 6.02                   | 9.7                   | 1          |
| 30A (FBJ) Compact UL98  | 1               | 10.00         | 10.00        | 6.00         | 7.00                    | 9.00                   | 12.4                  | 2          |
|                         | 3R              | 8.00          | 8.00         | 6.00         | 9.00                    | 3.00                   | 10.6                  | 1          |
|                         | 12              | 9.84          | 7.87         | 5.91         | 9.13                    | 5.31                   | 11.0                  | 2          |
|                         | 4               | 10.00         | 8.00         | 6.00         | 10.75                   | 6.00                   | 13.3                  | 1          |
|                         | 4X Stainless    | 9.84          | 7.87         | 5.91         | 9.13                    | 5.31                   | 11.7                  | 2          |
|                         | 4X Non-Metallic | 11.31         | 9.31         | 5.43         | 10.75                   | 6.02                   | 8.2                   | 1          |
| 30A (FBJ) UL98          | 1               | 12.00         | 12.00        | 8.00         | 9.00                    | 11.00                  | 18.3                  | 2          |
|                         | 3R              | 12.00         | 12.00        | 10.00        | 13.00                   | 5.00                   | 23.2                  | 1          |
|                         | 12              | 12.00         | 10.00        | 8.00         | 12.75                   | 8.00                   | 21.9                  | 1          |
|                         | 4               | 13.78         | 11.81        | 7.87         | 13.07                   | 9.25                   | 22.4                  | 2          |
|                         | 4X Stainless    | 13.78         | 11.81        | 7.87         | 13.07                   | 9.25                   | 24.3                  | 2          |
|                         | 4X Non-Metallic | 15.32         | 13.30        | 8.19         | 14.75                   | 10.00                  | 17.1                  | 1          |
| 60A (FBJ) UL98          | 1               | 12.00         | 12.00        | 8.00         | 9.00                    | 11.00                  | 18.2                  | 2          |
|                         | 3R              | 12.00         | 12.00        | 10.00        | 13.00                   | 5.00                   | 23.1                  | 1          |
|                         | 12              | 12.00         | 10.00        | 8.00         | 12.75                   | 8.00                   | 14.6                  | 1          |
|                         | 4               | 13.78         | 11.81        | 7.87         | 13.07                   | 9.25                   | 24.2                  | 2          |
|                         | 4X Stainless    | 13.78         | 11.81        | 7.87         | 13.07                   | 9.25                   | 24.2                  | 2          |
|                         | 4X Non-Metallic | 15.32         | 13.30        | 8.19         | 14.75                   | 10.00                  | 17.5                  | 1          |
| 100A (FBJ) UL98         | 1               | 20.00         | 16.00        | 8.62         | 17.88                   | 11.00                  | 35.2                  | 2          |
|                         | 3R              | 20.00         | 20.00        | 8.00         | 21.00                   | 13.00                  | 50.3                  | 1          |
|                         | 12              | 20.00         | 16.00        | 8.00         | 18.50                   | 14.50                  | 35.2                  | 1          |
|                         | 4               | 20.00         | 16.00        | 8.00         | 18.50                   | 14.50                  | 39.0                  | 2          |
|                         | 4X Stainless    | 20.00         | 16.00        | 8.00         | 18.50                   | 14.50                  | 38.1                  | 2          |
|                         | 4X Non-Metallic | 19.31         | 17.31        | 9.58         | 18.74                   | 12.00                  | 25.6                  | 1          |
| 200A (FBJ) UL98         | 1               | 30.00         | 20.00        | 8.62         | 27.50                   | 15.00                  | 68.8                  | 2          |
|                         | 3R              | 30.00         | 24.00        | 8.00         | 31.00                   | 13.00                  | 88.8                  | 1          |
|                         | 12              | 30.00         | 20.00        | 8.00         | 28.50                   | 18.50                  | 70.3                  | 2          |
|                         | 4               | 30.00         | 20.00        | 8.00         | 28.50                   | 18.50                  | 70.3                  | 2          |
|                         | 4X Stainless    | 30.00         | 20.00        | 10.00        | 28.50                   | 18.50                  | 71.2                  | 1          |
|                         | 4X Non-Metallic | 32.87         | 25.00        | 11.81        | 34.72                   | 22.91                  | 59.5                  | 1          |
| 400A (FBJ) UL98         | 1               |               |              |              |                         |                        |                       |            |
|                         | 3R              |               |              |              |                         |                        |                       |            |
|                         | 12              |               |              |              |                         |                        |                       |            |
|                         | 4               |               |              |              |                         |                        |                       |            |
|                         | 4X Stainless    |               |              |              |                         |                        |                       |            |
|                         | 4X Non-Metallic |               |              |              |                         |                        |                       |            |
| 600A (FBL) UL98         | 1               |               |              |              |                         |                        |                       |            |
|                         | 3R              |               |              |              |                         |                        |                       |            |
|                         | 12              |               |              |              |                         |                        |                       |            |
|                         | 4               |               |              |              |                         |                        |                       |            |
|                         | 4X Stainless    |               |              |              |                         |                        |                       |            |
|                         | 4X Non-Metallic |               |              |              |                         |                        |                       |            |
| 800A (FBL) UL98         | 1               |               |              |              |                         |                        |                       |            |
|                         | 3R              |               |              |              |                         |                        |                       |            |
|                         | 12              |               |              |              |                         |                        |                       |            |
|                         | 4               |               |              |              |                         |                        |                       |            |
|                         | 4X Stainless    |               |              |              |                         |                        |                       |            |
|                         | 4X Non-Metallic |               |              |              |                         |                        |                       |            |

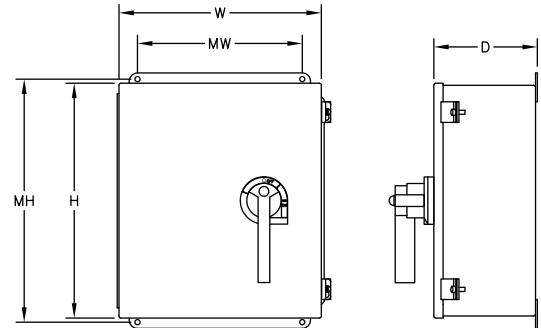


FIGURE 1

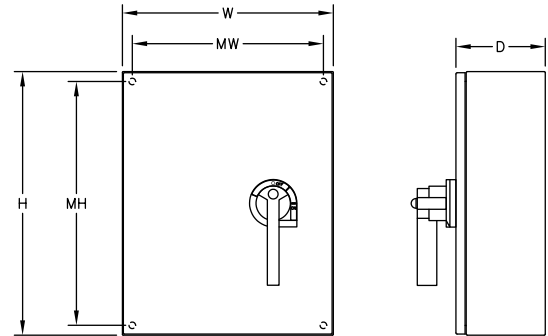


FIGURE 2

**Exterior Mounting - Figure 1**

**Interior Mounting - Figure 2**

Consult factory for 400A and above ratings since enclosure sizes can vary depending upon wiring method employed.