



## A4BQ100-600

Class L Dimensions, Class J Performance

UL Listed for Branch Circuit Protection





**Specifying  
engineers and  
consultants now  
have the flexibility  
to specify a  
single fuse for all  
applications**

Applications exist today where non-listed fuses are being installed in service entrance equipment and switchgear simply because there are no other alternatives. UL standard 248-10, Class L Fuses, do not include fuses with ampere ratings less than 601 amps. With the goal to protect people and equipment Ferraz Shawmut has developed the solution.

Newly UL Listed A4BQ 100 to 600 amp fuses can be used in applications where there is a need for Class L fuse dimensions with ampere ratings less than 601. Now suitable for Branch Circuit Protection and with the performance of a Class J fuse, the A4BQ100-600 was designed with three specific applications in mind. 1) New construction for added flexibility or future expansion foreseeable, 2) Facilities that are downsizing which also need to downsize fusing accordingly and 3) Arc flash mitigation. Plant engineers, specifying engineers and consultants will now be able to use the flexible A4BQ to comply with stringent OSHA regulations and NEC standards.

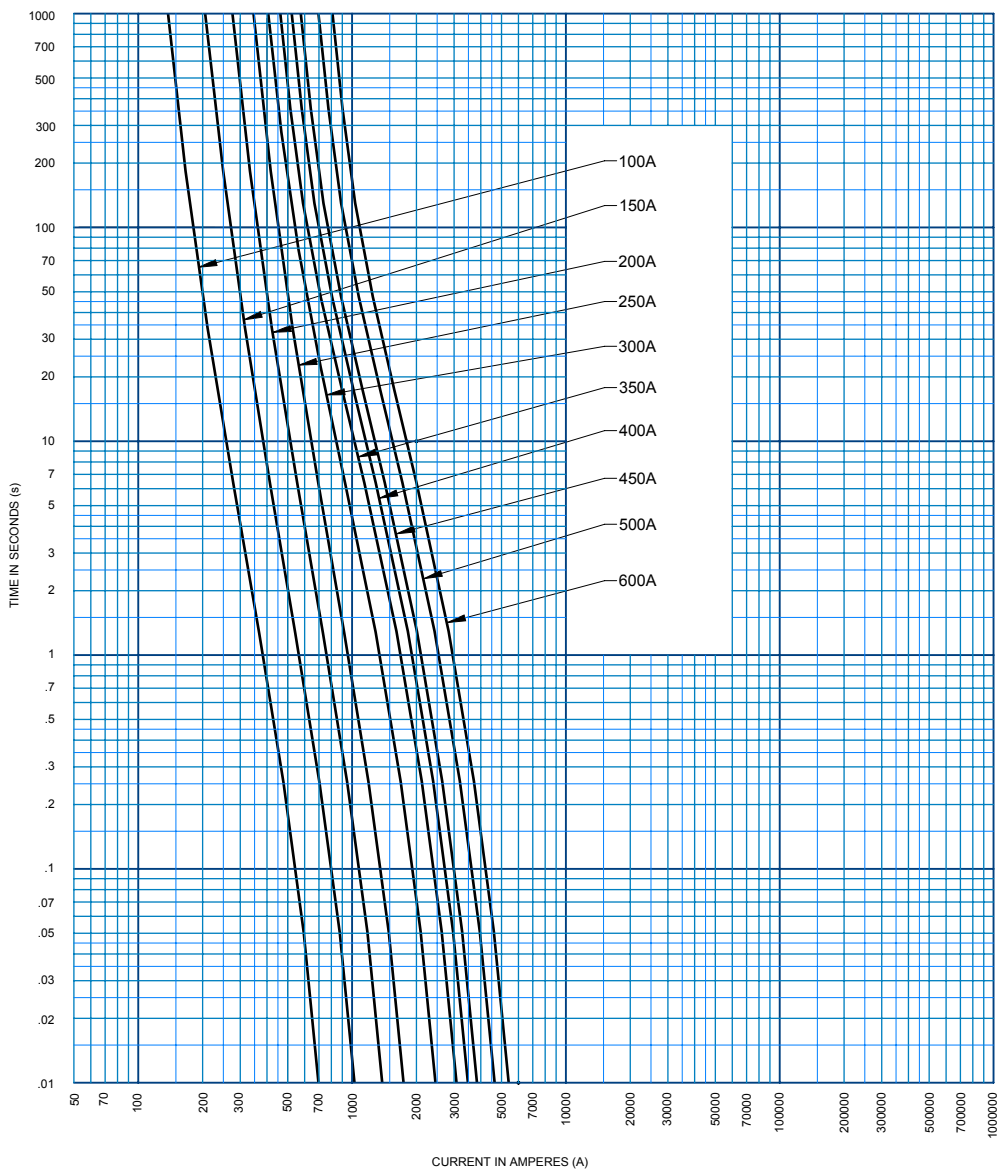
#### **New Construction projects for enhanced flexibility**

Specifying engineers and consultants now have the flexibility to specify a single fuse for all applications. Reduce the risk of change orders and save time and money by using a single fuse, switch or holder for all new construction and development plans. Minimize excess inventory and part numbers by standardizing on Ferraz Shawmut's A4BQ fuses. The newly UL listed

A4BQ100-600 amp fuses allow contractors the ability to install and operate Class L service entrance equipment and switchgear on new or un-finished developments which require less than 600A of load. A4BQ100-600 fuses were designed dimensionally for one-way interchangeability, meaning a Class L fuse of any lower ampere rating can be substituted for a given Class L fuse.

#### **Facilities that are Downsizing**

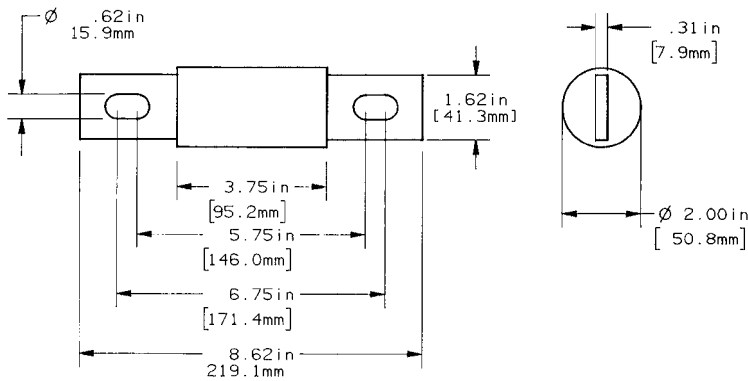
In today's economy, costs associated with labor, energy and healthcare are continuously on the rise. The result is many facilities are cutting costs through facility downsizing by either consolidation or moving production lines to low cost countries. When facility downsizing or consolidation occurs there will most likely be a reduction in power consumption. Facilities now have the capability to replace existing 601-6000A Class L fuses with 600A and below-UL Listed A4BQ fuses. Past occurrences were forced to either install un-listed products in existing switchgear or replace existing service equipment.



Melting Time Current Curve — 600VAC



### A4BQ100-600 Dimensions



### UL Limits

A4BQ Ampere Rating	Available Fault Currents					
	50kA		100kA		200kA	
	$I^2t$ (kA <sup>2</sup> Sec)	$I_p$ (kA)	$I^2t$ (kA <sup>2</sup> Sec)	$I_p$ (kA)	$I^2t$ (kA <sup>2</sup> Sec)	$I_p$ (kA)
100	12	7.3	14	9.3	20	12
150	-	9	17	12	-	14
200	16	11	20	14	30	17.5
250	-	13	24	16	-	20
300	-	16	26	20	-	25
350	-	17	29	22	-	27
400	25	18	30	23	45	29
450	-	20	36	25	-	32
500	-	22	42	27	-	34
600	35	26	45	32	70	40

\*The A4BQ100-600 is special purpose listed to UL 248-8

With the goal to  
protect people  
and equipment  
Ferraz Shawmut  
has developed  
the solution.



Safeguard your circuits at the point of power entry with the best possible protection – Amp-Trap 2000® A4BQ Fuses. By being the most current limiting Class L fuse available they provide optimal overcurrent protection to service entrance equipment, large motors, feeders and other circuits. The enhanced A4BQ product line is now available with UL Listed products ranging from 100 to 6000 amperes.

### Arc Flash Mitigation

According to National Electric Code, installation of a UL Recognized product is not permitted as a branch circuit overcurrent protective device. Lower your Personal Protective Equipment (PPE) Requirements and reduce the Hazard Category of your industrial panel by installing the new A4BQ100-600 amp fuses where oversized Class L fuses presently exist. Reduce both magnitude and duration of faults with the industry best A4BQ fuse-rated from 100 to 6000 amperes. For more information on arc flash hazards and prevention visit Ferraz Shawmut's Arc Flash Info Center at [us.ferrazshawmut.com/arcflash](http://us.ferrazshawmut.com/arcflash).

### Arc flash tech topics pertaining to A4BQ100-600 amp fuses

1. Arc Flash Note 2 : Reducing Arc Energies with Current Limiting Fuses
2. Arc Flash Note 5 : Reduce Arc Flash Energies by Reducing Fuse Ampere Rating

Tech Topics can be found electronically online at [us.ferrazshawmut.com/arcflash](http://us.ferrazshawmut.com/arcflash) or printed copies may be obtained by contacting your local Ferraz Shawmut Sales Representative.

Catalog Number Selection Table

Ampere Rating	Catalog Number
100	A4BQ100
150	A4BQ150
200	A4BQ200
250	A4BQ250
300	A4BQ300
350	A4BQ350
400	A4BQ400
450	A4BQ450
500	A4BQ500
600	A4BQ600

Ferraz Shawmut **A4BQ(100-600)** Replaces:  
 Bussmann: KRP-CL  
 Littelfuse: KLPC, LDC



... the industry  
 best A4BQ fuse  
 rated from 100 to  
 6000 amperes.



**A relentless pursuit of protection for electrical components, systems—and the people who use them.**

Ferraz Shawmut is an international company manufacturing the widest range of circuit protection solutions in the electrical industry. Drawing on a century of experience—and an ongoing commitment to critical research in electrical safety—we provide industrial, commercial, and OEM customers with innovative products and technical support teams to increase effectiveness, simplify applications, and enhance productivity. Learn more about our circuit protection solutions at [us.ferrazshawmut.com](http://us.ferrazshawmut.com).



For more information, visit our website at [us.ferrazshawmut.com](http://us.ferrazshawmut.com).

374 Merrimac Street,  
Newburyport, MA 01950  
T: 978-462-6662  
F: 978-462-0181

88 Horner Avenue  
Toronto, Ontario,  
Canada M8Z 5Y3  
T: 416-252-9371  
F: 416-252-6572

© 2007 Ferraz Shawmut. All rights reserved.



BR-CLASSJL-001