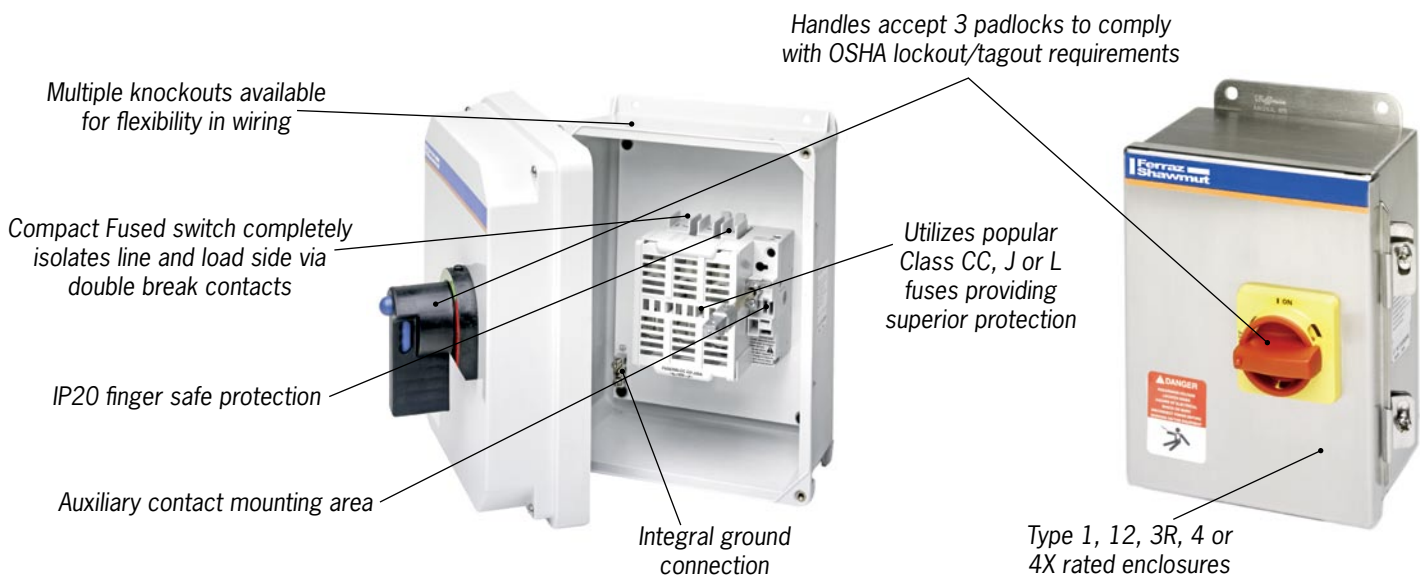




Enclosed Disconnect Switches





Enclosed Disconnect Switches. Compact & Durable.

Socomec switches are world renown for their superior operational performance, durability and reliability.

Ferraz Shawmut Enclosed Disconnect Switches are designed to meet customer's requirements for compact and durable individual disconnecting means. Both fusible and non-fusible versions are available in a variety of enclosure types resulting in one of the largest available ranges in the industry. The enclosed disconnect switch range offers safety, ease of installation, space savings and operational convenience to end-users.

Ferraz Shawmut features NEMA style, Type 4X non-metallic and stainless steel enclosures that are extremely durable and provide the ultimate protection for harsh environments and conditions. These rugged enclosure types are often used in areas where "wash down" applications are required.

Ferraz Shawmut's enclosed switches include the high quality Socomec disconnect switch line. Socomec switches are world renown for their superior operational performance, durability and reliability. The enclosed fused switch line offers line and load side breaking to ensure safe fuse replacements by completely isolating the fuse from applied voltage. The use of enclosed fused disconnects can assist in the effort to mitigate arc flash hazards and have SCCR's up to 200KA.

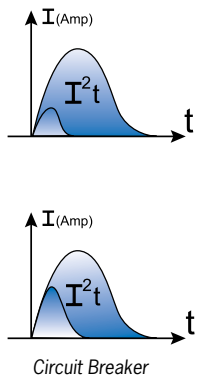
Enclosed non-fused disconnect switches are often employed as motor disconnect switches to comply with NEC Article 430 for "line of sight" applications. This is where it is required to provide a disconnect switch

within 15' of the sight of a motor in order to provide a safe means of disconnection and lockout capability to ensure the safety of personnel required to perform service work on motors.

Enclosed disconnects, most often fusible, are also used as a disconnection means provided for panels with no main incoming disconnection provision. These enclosed fused switches can be a method employed to help mitigate the risk of arc flash hazards. This requires the use of a UL98 Service Entrance Rated disconnect switch.

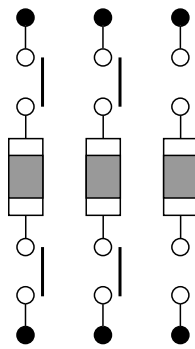


200kA Short-Circuit

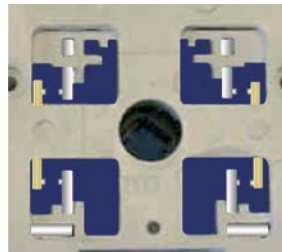


The Fuserbloc Series with class CC, J or L fuses provides exceptional high level of short-circuit protection, up to 200 kA. The CC and J fuses are more current limiting than older classes of fuses or circuit breakers. Fuses have higher breaking capacities than most of the circuit breakers. Moreover discrimination (selectivity) and coordination are easily achieved with fuses. The fuse solution brings the following advantages: high performance, reliability, safety, savings and ease of use.

Practical Safeguard



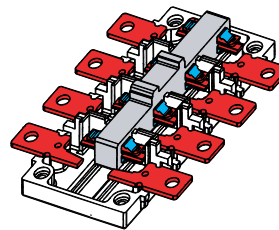
Arc broken into 4



Double break:

Up to 400 A, the modern designed mechanism of our Fusible Disconnect Switches disconnects both sides of the fuses using two double breaking contacts per pole. This ensures the complete isolation of the fuses in the "OFF" position and allows the switch to be fed from either top or bottom side. This feature allows the switch to operate on highly inductive loads.

Contact Principle



- Up to 400 A, all switches use silver tipped contacts technology providing the following advantages:
 - Best solution for harsh environments (humidity, sulphide, chloride, ...).
 - High on-load break characteristics.
 - Longer mechanical and electrical life.
 - Maintenance free switches without grease.
- Above 400A, our switches use a self-cleaning moving contact technology allowing high short-circuit withstand.

Product Features

- Meets OSHA lockout / tagout requirements
- NEMA, Type rated enclosures
- Knockouts provided on non-metallic enclosures (16-60A non-fused)
- Easy screw mounting
- Selector or pistol handles in red/yellow or black that are UV approved for outdoor applications
- Clear ON/OFF indication
- Load break switching
- Separate disconnect means within sight of all motor loads to comply with NEC® Article 430.
- Circuit isolation
- Service entrance ratings available

Typical Markets Served

- Food processing
- Conveyor systems
- Harsh industrial environments
- Industrial facilities
- Baggage Handling
- Chemical Plants

Typical Applications

- Line of sight disconnects
- Isolation switches
- Main switches

NEMA Enclosure Types

3 Pole, 600V, 16-125A, Non-Fused, Selector Handle

UL 508

Amp Rating	1	3R	12	12	4x Stainless	4X Non-Metallic *
	Catalog #	Catalog #	Catalog #	Catalog #	Catalog #	Catalog #
16	EALBS163RSO	EFLBS163RSO	ECLBS163RSO	EHLBS163RSO	EBLBS163RSO	EDLBS163RSO
20	EALBS203RSO	EFLBS203RSO	ECLBS203RSO	EHLBS203RSO	EBLBS203RSO	EDLBS203RSO
25	EALBS253RSO	EFLBS253RSO	ECLBS253RSO	EHLBS253RSO	EBLBS253RSO	EDLBS253RSO
30	EALBS303RSO	EFLBS303RSO	ECLBS303RSO	EHLBS303RSO	EBLBS303RSO	EDLBS303RSO
40	EALBS403RSO	EFLBS403RSO	ECLBS403RSO	EHLBS403RSO	EBLBS403RSO	EDLBS403RSO
60	EALBS603RSO	EFLBS603RSO	ECLBS603RSO	EHLBS603RSO	EBLBS603RSO	EDLBS603RSO
80	EALBS803RSO	EFLBS803RSO	ECLBS803RSO	EHLBS803RSO	EBLBS803RSO	EGLBS803RSO
100	EALBS1003RSO	EFLBS1003RSO	ECLBS1003RSO	EHLBS1003RSO	EBLBS1003RSO	EGLBS1003RSO
125	EALBS1253RSO	EFLBS1253RSO	ECLBS1253RSO	EHLBS1253RSO	EBLBS1253RSO	EGLBS1253RSO

3 Pole, 600V, 16-1200A, Non-Fused, Pistol Handle

UL 508

Amp Rating	1	3R	12	4	4X Stainless	4X No-Metallic
	Catalog #	Catalog #	Catalog #	Catalog #	Catalog #	Catalog #
16	EALBS163RPO	EFLBS163RPO	ECLBS163RPO	EHLBS163RPO	EBLBS163RPO	EDLBS163RPO
20	EALBS203RPO	EFLBS203RPO	ECLBS203RPO	EHLBS203RPO	EBLBS203RPO	EDLBS203RPO
25	EALBS253RPO	EFLBS253RPO	ECLBS253RPO	EHLBS253RPO	EBLBS253RPO	EDLBS253RPO
30	EALBS303RPO	EFLBS303RPO	ECLBS303RPO	EHLBS303RPO	EBLBS303RPO	EDLBS303RPO
40	EALBS403RPO	EFLBS403RPO	ECLBS403RPO	EHLBS403RPO	EBLBS403RPO	EDLBS403RPO
60	EALBS603RPO	EFLBS603RPO	ECLBS603RPO	EHLBS603RPO	EBLBS603RPO	EDLBS603RPO
80	EALBS803RPO	EFLBS803RPO	ECLBS803RPO	EHLBS803RPO	EBLBS803RPO	EGLBS803RPO
100	EALBS1003RPO	EFLBS1003RPO	ECLBS1003RPO	EHLBS1003RPO	EBLBS1003RPO	EGLBS1003RPO
125	EALBS1253RPO	EFLBS1253RPO	ECLBS1253RPO	EHLBS1253RPO	EBLBS1253RPO	EGLBS1253RPO
30	EASC303RPO	EFSC303RPO	ECSC303RPO	EHSC303RPO	EBSC303RPO	EGSC303RPO
60	EASC603RPO	EFSC603RPO	ECSC603RPO	EHSC603RPO	EBSC603RPO	EGSC603RPO
100	EASC1003RPO	EFSC1003RPO	ECSC1003RPO	EHSC1003RPO	EBSC1003RPO	EGSC1003RPO
200	EASC2003RPO	EFSC2003RPO	ECSC2003RPO	EHSC2003RPO	EBSC2003RPO	EGSC2003RPO
400	EASC4003RPO	EFSC4003RPO	ECSC4003RPO	EHSC4003RPO	EBSC4003RPO	EGSC4003RPO
600	EASC6003RPO	EFSC6003RPO	ECSC6003RPO	EHSC6003RPO	EBSC6003RPO	EGSC6003RPO
800	EASC8003RPO	EFSC8003RPO	ECSC8003RPO	EHSC8003RPO	EBSC8003RPO	EGSC8003RPO
1000	EASC10003RPO	EFSC10003RPO	ECSC10003RPO	EHSC10003RPO	EBSC10003RPO	EGSC10003RPO
12000	EASC12003RPO	EFSC12003RPO	ECSC12003RPO	EHSC12003RPO	EBSC12003RPO	EGSC12003RPO

Note: Each of the enclosed switches on this page are provided with a red/yellow handle. Simply replace the "RS" or "RP" with a "BS" or "BP" to receive with a black selector or black pistol handle at no additional cost. The non-metallic enclosures are comprised of "ED" polycarbonate boxes and "EG" polyester fiberglass boxes.

3 Pole, 600V, 30-800A, Fused, Pistol Handle

UL 98

Amp Rating	Fuse Type	1	3R	12	4	4X Stainless	4X Non-Metallic
		Catalog #	Catalog #	Catalog #	Catalog #	Catalog #	Catalog #
30, compact	CC	EAFBCC303RPO	EFFBCC303RPO	ECFBCC303RPO	EHFBCC303RPO	EBFBCC303RPO	EGFBCC303RPO
30, compact	J	EAFBJC303RPO	EFFBJC303RPO	ECFBJC303RPO	EHFBJC303RPO	EBFBJC303RPO	EGFBJC303RPO
30	CC	EAFBC303RPO	EFFBC303RPO	ECFBC303RPO	EHFBC303RPO	EBFBC303RPO	EGFBC303RPO
30	J	EAFBJ303RPO	EFFBJ303RPO	ECFBJ303RPO	EHFBJ303RPO	EBFBJ303RPO	EGFBJ303RPO
60	J	EAFBJ603RPO	EFFBJ603RPO	ECFBJ603RPO	EHFBJ603RPO	EBFBJ603RPO	EGFBJ603RPO
100	J	EAFBJ1003RPO	EFFBJ1003RPO	ECFBJ1003RPO	EHFBJ1003RPO	EBFBJ1003RPO	EGFBJ1003RPO
200	J	EAFBJ2003RPO	EFFBJ2003RPO	ECFBJ2003RPO	EHFBJ2003RPO	EBFBJ2003RPO	EGFBJ2003RPO
400	J	EAFBJ4003RPO	EFFBJ4003RPO	ECFBJ4003RPO	EHFBJ4003RPO	EBFBJ4003RPO	EGFBJ4003RPO
600	J	EAFBJ6003RPO	EFFBJ6003RPO	ECFBJ6003RPO	EHFBJ6003RPO	EBFBJ6003RPO	EGFBJ6003RPO
800	L	EAFBL8003RPO	EFFBL8003RPO	ECFBL8003RPO	EHFBL8003RPO	EBFBL8003RPO	EGFBL8003RPO

Other Features Available

Part Numbering Guideline

ED	LBS	30	3	R	S	O	-
Enclosure Type	Switch Type	Amp Rating	Number of Poles	Color of handle: R = Red/yello B = Black	Type of handle: S = Selector P = Pistol	Auxiliary contacts: See chart below	Other options

Pre-break, Pre-mounted Auxiliary Contacts

Switch Style		Catalog Suffix		
		1	2	3
Non-fusible, UL508	LBSM, 16 – 25A	N/A	N/A	1 NO + NC
Non-fusible, UL508	LBSR, 30 – 125A	1 NO	1 NC	1 NO + NC
Non-fusible, UL98	Sirco, 30 – 1200A	1 NO	1 NC	1 NO + NC
Fusible, UL98	Fuserbloc, 30 – 800A	1 NO	1 NC	1 NO + NC

Note: "O" suffix is standard in part number and means enclosed switch shipped with no auxiliary contacts. Replacing the "O" with a 1, 2 or 3 per above provides the type of auxiliary contact indicated. N/A in the chart above indicates that this particular option is not available for this configuration. Please consult the factory if other auxiliary contact configurations are desired.

Other Options

Please consult factory for availability and suffix for any other options including:

- Neutral blocks
- Special Request
 - Pilot Lights
 - Pushbuttons

Terminal lugs/shrouding are integral to the following enclosed disconnect switches:

- LBS (16-125A)
- SCV (30-100A)
- FBCC/FBJ (30-60A)

For all other enclosed switches, terminal lugs are available for separate purchase where the number following the TL represents the ampacity of the lug.

Catalog numbers for the lugs appear below:

- TL100 - TL600
- TL200 - TL800
- TL400 - TL1200

For those enclosed disconnects where terminal lugs or customer supplied ring lug connections are made, shrouding for the line side of the switch is always supplied. Load side shrouds are also available for separate purchase with part numbering as follows:

- | Non-Fused | Fused |
|------------|-----------|
| - TS200SC | - TS100FB |
| - TS400SC | - TS200FB |
| - TS600SC | - TS400FB |
| - TS1200SC | - TS800FB |

All enclosed switches are provided with a standard integral ground lug

Box type	Switch type	Ground lug wire size
IP65	16 – 30A	6mm ² (~#10)
NEMA/UL	16–60A	(2) #4 – #14
NEMA/UL	80 – 125A	(2) 1/0 – #14
NEMA/UL	200 – 400A	(2)600kcmil – #2
NEMA/UL	600A & above	Consult Factory

*IEC Enclosure Type (IP65)	
Amp Rating	Catalog #
16	EELBS163RSO
20	EELBS203RSO
25	EELBS253RSO
30	EELBS303RSO

Note: EDLBS 40A, 60A & 80A use grounding stud

Enclosure Application Information

Enclosure Type		Intended Use and Description
NEMA	1	Indoor use primarily to provide a degree of protection against contact with the enclosed equipment and against a limited amount of falling dirt.
NEMA	3R	Intended for outdoor use primarily to provide a degree of protection against rain, sleet, and damage from external ice formation.
NEMA	12	Intended for indoor use primarily to provide a degree of protection against circulating dust, falling dirt, and dripping non-corrosive liquids.
NEMA	4	Intended for indoor or outdoor use primarily to provide a degree of protection against windblown dust and rain, splashing water, hose-directed water, and damage from external ice formation.
NEMA	4X	Intended for indoor or outdoor use primarily to provide a degree of protection against corrosion, wind blown dust and rain, splashing water, hose-directed water, and damage from ice formation.
IEC	IP65	Total protection against dust and protected against water jets from any hosed direction.

Dimensional Information (Non-Fused Disconnect Switches)

Switch Rating	Enclosure Type	H height (in)	W width (in)	D depth (in)	MH mounting height (in)	MH mounting width (in)	Shipping Weight (lbs)	Figure No.
16-25A (LBSM) UL508 Selector Handle	1	6.00	6.00	4.00	6.75	4.00	5.1	2
	3R	6.00	6.00	4.00	7.00	3.00	5.4	1
	12	6.00	6.00	4.00	6.75	4.00	5.1	1
	4	6.00	6.00	4.00	6.75	4.00	5.1	1
	4X Stainless	6.00	6.00	4.00	6.75	4.00	5.1	1
	4X Non-Metallic	7.00	5.03	4.02	6.18	4.21	1.6	2
IP65	5.20	3.43	2.99	4.69	2.91	0.8	2	
16-25A (LBSM) UL508 Pistol Handle	1	5.91	5.91	4.72	5.20	3.35	5.6	2
	3R	8.00	8.00	6.00	9.00	3.00	9.6	1
	12	5.91	5.91	4.72	5.20	3.35	5.6	2
	4	5.91	5.91	4.72	5.20	3.35	5.7	2
	4X Stainless	5.91	5.91	4.72	5.20	3.35	5.8	2
	4X Non-Metallic	7.00	5.03	5.02	6.18	4.21	2.5	2
30A (LBSR) UL508 Pistol Handle	1	6.00	6.00	4.00	6.75	4.00	5.2	2
	3R	6.00	6.00	4.00	7.00	3.00	5.5	1
	12	6.00	6.00	4.00	6.75	4.00	5.2	1
	4	6.00	6.00	4.00	6.75	4.00	5.4	1
	4X Stainless	6.00	6.00	4.00	6.75	4.00	5.2	1
	4X Non-Metallic	7.00	5.03	4.02	6.18	4.21	1.8	2
40A (LBSR) UL508 Selector Handle	1	5.91	5.91	4.72	5.20	3.35	5.7	2
	3R	8.00	8.00	6.00	9.00	3.00	9.7	1
	12	5.91	5.91	4.72	5.20	3.35	5.7	2
	4	5.91	5.91	4.72	5.20	3.35	5.8	2
	4X Stainless	5.91	5.91	4.72	5.20	3.35	5.9	2
	4X Non-Metallic	7.00	5.03	5.02	6.18	4.21	2.6	2
40A (LBSR) UL508 Pistol Handle	1	6.00	6.00	4.00	6.75	4.00	5.2	2
	3R	6.00	6.00	4.00	7.00	3.00	5.5	1
	12	6.00	6.00	4.00	6.75	4.00	5.2	1
	4	6.00	6.00	4.00	6.75	4.00	5.4	1
	4X Stainless	6.00	6.00	4.00	6.75	4.00	5.2	1
	4X Non-Metallic	7.00	5.03	4.02	6.18	4.21	1.8	2
60A (LBSR) UL508 Selector Handle	1	5.91	5.91	4.72	5.20	3.35	5.8	2
	3R	8.00	8.00	6.00	9.00	3.00	9.7	1
	12	5.91	5.91	4.72	5.20	3.35	5.8	2
	4	5.91	5.91	4.72	5.20	3.35	5.8	2
	4X Stainless	5.91	5.91	4.72	5.20	3.35	5.8	2
	4X Non-Metallic	7.00	5.03	5.02	6.18	4.21	5.9	2
60A (LBSR) UL508 Pistol Handle	1	8.00	8.00	6.00	5.00	7.00	8.5	2
	3R	8.00	6.00	4.00	9.00	3.00	6.8	1
	12	8.00	6.00	6.00	8.75	4.00	8.2	1
	4	7.87	5.91	4.72	5.20	3.35	6.7	2
	4X Stainless	8.00	6.00	4.00	8.75	4.00	7.0	1
	4X Non-Metallic	7.00	5.03	4.02	6.18	4.21	2.0	2
16-25A (LBSM) UL508 Selector Handle	1	8.00	8.00	6.00	5.00	7.00	9.1	2
	3R	8.00	8.00	6.00	9.00	3.00	9.9	1
	12	8.00	6.00	6.00	8.75	4.00	8.8	1
	4	7.87	5.91	4.72	5.20	3.35	7.3	2
	4X Stainless	7.87	5.91	4.72	5.20	3.35	7.3	2
	4X Non-Metallic	7.00	5.03	5.02	6.18	4.21	2.9	2
80A (LBSR) UL508	1	10.00	8.00	6.00	7.00	7.00	10.6	2
	3R	10.00	8.00	6.00	11.00	3.00	11.1	1
	12	10.00	8.00	6.00	10.75	6.00	12.3	1
	4	10.00	8.00	6.00	10.75	6.00	11.8	1
	4X Stainless	9.84	7.87	5.91	9.13	5.31	9.8	2
	4X Non-Metallic	9.30	7.31	4.96	8.74	4.01	6.0	1
100A (LBSR) UL508	1	10.00	8.00	6.00	7.00	7.00	10.6	2
	3R	10.00	8.00	6.00	11.00	3.00	11.1	1
	12	10.00	8.00	6.00	10.75	6.00	12.3	1
	4	10.00	8.00	6.00	10.75	6.00	11.8	1
	4X Stainless	9.84	7.87	5.91	9.13	5.31	9.8	2
	4X Non-Metallic	11.31	9.31	5.43	10.75	6.02	7.6	1

Switch Rating	Enclosure Type	H height (in)	W width (in)	D depth (in)	MH mounting height (in)	MH mounting width (in)	Shipping Weight (lbs)	Figure No.
125A (LBSR) UL508	1	10.00	8.00	6.00	7.00	7.00	10.6	2
	3R	10.00	8.00	6.00	11.00	3.00	11.1	1
	12	10.00	8.00	6.00	10.75	6.00	12.4	1
	4	10.00	8.00	6.00	10.75	6.00	11.9	1
	4X Stainless	9.84	7.87	5.91	9.13	5.31	9.8	2
	4X Non-Metallic	11.31	9.31	5.43	10.75	6.02	7.6	1
30A (SCV) UL98	1	8.00	8.00	6.00	5.00	5.00	9.3	2
	3R	8.00	8.00	6.00	9.00	3.00	10.2	1
	12	7.87	5.91	4.72	5.20	3.35	7.6	1
	4	7.87	5.91	4.72	5.20	3.35	7.6	1
	4X Stainless	9.844	7.87	5.91	9.13	5.31	10.1	2
	4X Non-Metallic	9.30	7.31	4.96	8.74	4.01	6.2	1
60A (SCV) UL98	1	12.00	12.00	6.00	9.00	11.00	16.0	2
	3R	12.00	10.00	6.00	13.00	3.00	17.6	1
	12	12.00	12.00	6.00	12.75	10.00	21.6	1
	4	12.00	12.00	6.00	12.75	10.00	21.9	1
	4X Stainless	11.81	9.84	5.91	11.10	7.28	17.4	2
	4X Non-Metallic	13.30	11.29	7.10	12.75	8.01	12.9	1
100A (SCV) UL98	1	12.00	12.00	6.00	9.00	11.00	16.0	2
	3R	12.00	10.00	6.00	13.00	3.00	17.6	1
	12	12.00	12.00	6.00	12.75	10.00	21.6	1
	4	12.00	12.00	6.00	12.75	10.00	21.9	1
	4X Stainless	12.00	10.00	6.00	12.75	8.00	18.6	1
	4X Non-Metallic	13.30	11.29	7.10	12.75	8.01	12.9	1
200A (SCV) UL98	1	30.00	20.00	8.62	27.50	15.00	68.6	2
	3R	30.00	14.00	8.00	31.00	13.00	88.6	1
	12	30.00	20.00	8.00	28.50	18.50	70.1	2
	4	30.00	20.00	8.00	28.50	18.50	70.1	2
	4X Stainless	30.00	20.00	10.00	28.50	18.50	71.0	1
	4X Non-Metallic	32.87	25.00	11.81	34.72	22.91	59.3	1
400A (SCV) UL98	1							
	3R							
	12							
	4							
	4X Stainless							
	4X Non-Metallic							
600A (SC) UL98	1							
	3R							
	12							
	4							
	4X Stainless							
	4X Non-Metallic							
800A (SC) UL98	1							
	3R							
	12							
	4							
	4X Stainless							
	4X Non-Metallic							
1000A (SC) UL98	1							
	3R							
	12							
	4							
	4X Stainless							
	4X Non-Metallic							
1200A (SC) UL98	1							
	3R							
	12							
	4							
	4X Stainless							
	4X Non-Metallic							

Consult factory for 400A and above ratings since enclosure sizes can vary depending upon wiring method employed.

Dimensional Information (Fused Disconnect Switches)

Switch Rating	Enclosure Type	H height (in)	W width (in)	D depth (in)	MH mounting height (in)	MH mounting width (in)	Shipping Weight (lbs)	Figure No.
30A (FBCC) Compact UL98	1	8.00	8.00	6.00	5.00	7.00	9.4	2
	3R	8.00	8.00	6.00	9.00	3.00	10.3	1
	12	9.84	7.87	5.91	9.13	5.31	10.8	1
	4	9.84	7.87	5.91	9.13	5.31	10.8	1
	4X Stainless	9.84	7.87	5.91	9.13	5.31	11.3	2
	4X Non-Metallic	11.31	9.31	5.43	10.75	6.02	7.8	1
30A (FBCC) UL98	1	10.00	10.00	6.00	7.00	9.00	13.9	2
	3R	8.00	8.00	6.00	9.00	3.00	12.1	1
	12	10.00	8.00	6.00	10.75	6.00	14.4	1
	4	10.00	8.00	6.00	10.75	6.00	13.9	1
	4X Stainless	11.81	9.84	5.91	11.10	7.28	16.5	1
	4X Non-Metallic	11.31	9.31	6.93	10.75	6.02	9.7	1
30A (FBJ) UL98	1	10.00	10.00	6.00	7.00	9.00	12.4	2
	3R	8.00	8.00	6.00	9.00	3.00	10.6	1
	12	9.84	7.87	5.91	9.13	5.31	11.0	2
	4	10.00	8.00	6.00	10.75	6.00	13.3	1
	4X Stainless	9.84	7.87	5.91	9.13	5.31	11.7	2
	4X Non-Metallic	11.31	9.31	5.43	10.75	6.02	8.2	1
60A (FBJ) UL98	1	12.00	12.00	8.00	9.00	11.00	18.3	2
	3R	12.00	12.00	10.00	13.00	5.00	23.2	1
	12	12.00	10.00	8.00	12.75	8.00	21.9	1
	4	13.78	11.81	7.87	13.07	9.25	22.4	2
	4X Stainless	13.78	11.81	7.87	13.07	9.25	24.3	2
	4X Non-Metallic	15.32	13.30	8.19	14.75	10.00	17.1	1
100A (FBJ) UL98	1	12.00	12.00	8.00	9.00	11.00	18.2	2
	3R	12.00	12.00	10.00	13.00	5.00	23.1	1
	12	12.00	10.00	8.00	12.75	8.00	14.6	1
	4	13.78	11.81	7.87	13.07	9.25	24.2	2
	4X Stainless	13.78	11.81	7.87	13.07	9.25	24.2	2
	4X Non-Metallic	15.32	13.30	8.19	14.75	10.00	17.5	1
200A (FBJ) UL98	1	20.00	16.00	8.62	17.88	11.00	35.2	2
	3R	20.00	20.00	8.00	21.00	13.00	50.3	1
	12	20.00	16.00	8.00	18.50	14.50	35.2	1
	4	20.00	16.00	8.00	18.50	14.50	39.0	2
	4X Stainless	20.00	16.00	8.00	18.50	14.50	38.1	2
	4X Non-Metallic	19.31	17.31	9.58	18.74	12.00	25.6	1
400A (FBJ) UL98	1	30.00	20.00	8.62	27.50	15.00	68.8	2
	3R	30.00	24.00	8.00	31.00	13.00	88.8	1
	12	30.00	20.00	8.00	28.50	18.50	70.3	2
	4	30.00	20.00	8.00	28.50	18.50	70.3	2
	4X Stainless	30.00	20.00	10.00	28.50	18.50	71.2	1
	4X Non-Metallic	32.87	25.00	11.81	22.91	22.91	59.5	1
600A (FBJ) UL98	1							
	3R							
	12							
	4							
	4X Stainless							
	4X Non-Metallic							
800A (FBL) UL98	1							
	3R							
	12							
	4							
	4X Stainless							
	4X Non-Metallic							

Consult factory for 400A and above ratings since enclosure sizes can vary depending upon wiring method employed.

Exterior Mounting

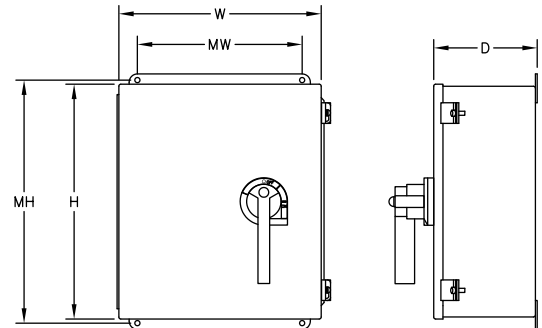


FIGURE 1

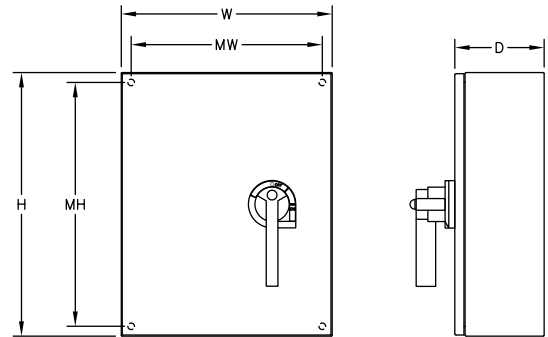


FIGURE 2

Interior Mounting

A relentless pursuit of protection for electrical components, systems—and the people who use them.

Ferraz Shawmut is an international company manufacturing the widest range of circuit protection solutions in the electrical industry. Drawing on a century of experience—and an ongoing commitment to critical research in electrical safety—we provide industrial, commercial, and OEM customers with innovative products and technical support teams to increase effectiveness, simplify applications, and enhance productivity. Learn more about our circuit protection solutions at us.ferrazshawmut.com.

For more on Enclosed Disconnect Switches, visit our website at us.ferrazshawmut.com.

374 Merrimac Street,
Newburyport, MA 01950
T: 978-462-6662
F: 978-462-0181

88 Horner Avenue
Toronto, Ontario,
Canada M8Z 5Y3
T: 978-462-6662
F: 978-462-0181

©2007 Ferraz Shawmut. All rights reserved.

BR-EDS-001/7500/6.07/OSD