



ULTRASAFE™ Fuse Holders
The safety evolution continues.





The Revolutionary Advantages

Ferraz Shawmut continues to lead the safety evolution with even more improvements to our popular ULTRASAFE fuse holders. Renowned throughout the industry for their forward-thinking design, ULTRASAFE fuse holders deliver more than “finger-safe” protection, they deliver the features both installers and end users demand. Features like lockout/tagout compliance, the simplicity of DIN rail mounting, and at-a-glance open-fuse indication.

In addition, our new US14 and US22 series holders feature microswitch capabilities for remote indication. And for quick and easy panel layout adjustments, many models include an innovative DIN rail latch adapter. Simply unlatch, slide the holder to the new position, and relock. With ULTRASAFE, ease-of-use — and safety — come built right in.

Easy panel layout adjustments

Need to make room for another fuse holder or component? Simply unlatch the DIN rail adapter, slide the holder to the desired position, and relock.

Totally modular

Use single or multiple poles. Or add poles in the field using a pin assembly kit to form any number of poles. Either way, you have maximum application flexibility.

Flick-of-the-finger changeouts

A permanently attached, pivoting fuse door simplifies and speeds fuse extraction. No tools or accessories needed.

DIN rail mounting

Integral design allows for quick and easy installations on 35mm DIN rail. And our Class CC and Midget holders take up 15% less space than traditional holders.

At-a-glance open-fuse indication

A long-lasting, neon indicator light helps you identify the down circuit fast. So you can clear the problem, replace the fuse, and get back on-line fast.

Simplified wire terminations

Pressure plate terminals arrive backed out and ready to wire. Just insert the wire, tighten and go.

Runs cool

Our vented design provides adequate airflow around our US3J, US6J, US14 and US22 holders at all times.

UL/CSA compliance

USCC, US3J and US6J, models are UL Listed and CSA certified for branch circuit protection. USM US14 and US22 models are UL Recognized and CSA Certified for supplementary and high speed protection.

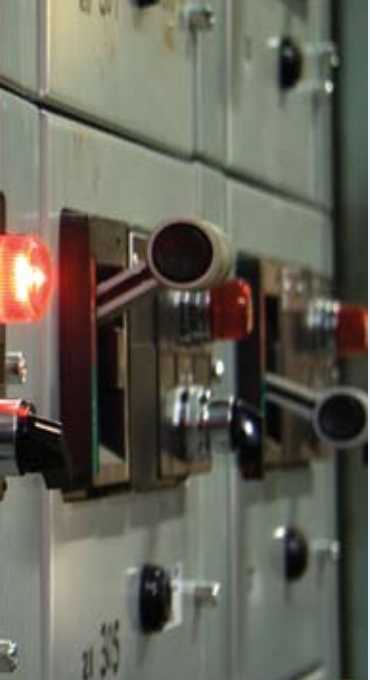
European acceptance

All ULTRASAFE fuse holders have a CE Mark for acceptance throughout the European community.

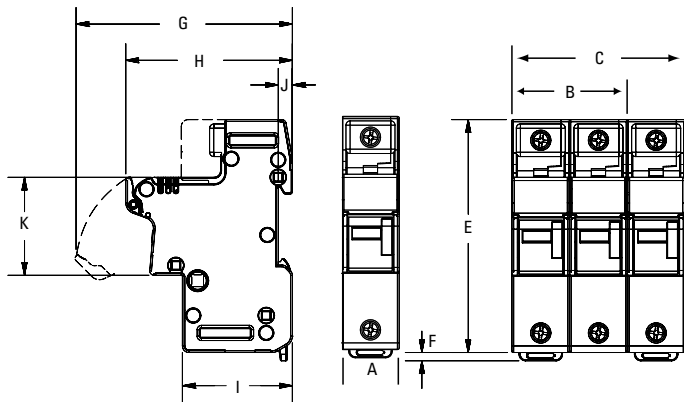
Lockout/tagout compliance

US3J, US6J, US14 and US22 fuse holders provide a lockable extraction door to meet OSHA requirements and prevent personnel from accidentally energizing equipment that is off-line for repairs or maintenance.

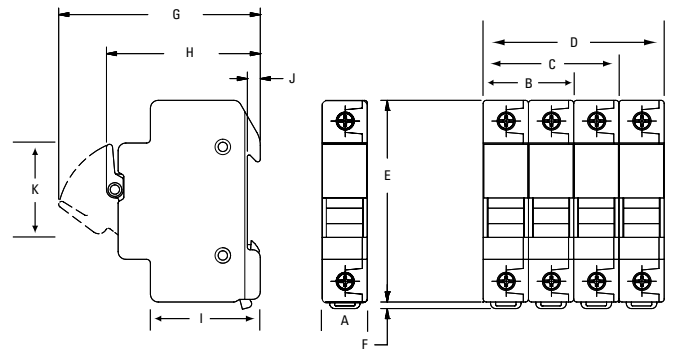
“ . . . they deliver the features both installers and end users demand.”



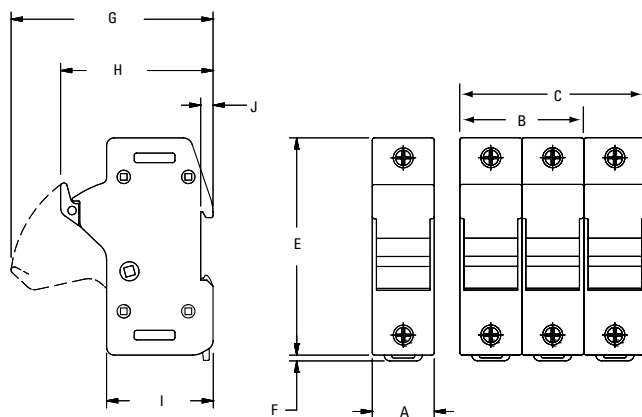
US14/22



Class CC & Midget



Class J



ULTRASAFE Series Nomenclature

Description — Fuse Holders	For Use With 14 x 55mm Fuses	For Use With 22 x 58mm Fuses	For Use With Class CC Fuses	For Use With Midget Fuses	For Use With 30AJ Fuses	For Use With 60AJ Fuses
1 Pole	US141	US221	USCC1	USM1	US3J1	US6J1
1 Pole with Indicator	US141I	US221I	USCC1I	USM1I	US3J1I	US6J1I
1 Pole with Indicator 12 - 24VDC	—	—	USCC1I-DC24	USM1I-DC24	—	—
1 Pole with Indicator 20 - 24VDC	—	—	—	USM1I-DC24P	—	—
1 Pole with Indicator 35 - 48VDC	—	—	USCC1I-DC48	USM1I-DC48	—	—
1 Pole with Microswitch	US141M	US221M	—	—	—	—
1 Pole with Microswitch & Indicator	US141MI	US221MI	—	—	—	—
2 Pole	US142	US222	USCC2	USM2	US3J2	US6J2
2 Pole with Indicator	US142I	US222I	USCC2I	USM2I	US3J2I	US6J2I
2 Pole with Microswitch	US142M	US222M	—	—	—	—
2 Pole with Microswitch & Indicator	US142MI	US222MI	—	—	—	—
3 Pole	US143	US223	USCC3	USM3	US3J3	US6J3
3 Pole with Indicator	US143I	US223I	USCC3I	USM3I	US3J3I	US6J3I
3 Pole with Microswitch	US143M	US223M	—	—	—	—
3 Pole with Microswitch & Indicator	US143MI	US223MI	—	—	—	—
3 Pole with 2 Microswitches	US143M2	US223M2	—	—	—	—
3 Pole with 2 Microswitches & Indicator	US143M2I	US223M2I	—	—	—	—
3 Pole with a Fourth Neutral Pole	—	—	USCC3N	USM3N	—	—
3 Pole with Indicators and a Fourth Neutral Pole	—	—	USCC3IN	USM3IN	—	—
4 Pole	—	—	USCC4	USM4	—	—
4 Pole with Indicator	—	—	USCC4I	USM4I	—	—
1 Pole with Integral Neutral Link	US14N	US22N	—	USN	US3JN	US6JN

Accessories for Assembling Multiple Poles	US14 Series	US22 Series	USCC Series	USM Series	US3J Series	US6J Series
Multi-Pole Assembly Kit	US14PAK	US22PAK	—	—	—	—
Microswitch for Single Pole	US14S1P	US22S1P	—	—	—	—
Microswitch for 3 Pole	US14S3P	US22S3P	—	—	—	—
2 Microswitches for 3 Pole	US14S3P2	US22S3P2	—	—	—	—
2 Pole Assembly Kits	—	—	USPTH2	USPTH2	US3J2PAK	US6J2PAK
3 Pole Assembly Kits	—	—	USPTH3	USPTH3	US3J3PAK	US6J3PAK
4 Pole Assembly Kits	—	—	USPTH4	USPTH4	US3J4PAK	US6J4PAK

Specifications	US14 Series	US22 Series	USCC Series	USM Series	US3J Series	US6J Series
Voltage AC	750V	750V	600V	600V	600V	600V
Special Indicator Voltage DC	—	—	24V, 48V	24V, 48V	—	—
Amperage	50A	125A	30A	30A	30A	60A
Withstand Rating (RMS Symmetrical)	200,000A	200,000A	200,000A	100,000A	200,000A	200,000A
Termination Screw Type	Phillips/Slot Screw	Phillips/Slot Screw	Phillips/Slot Screw	Phillips/Slot Screw	Phillips/Slot Screw	Phillips/Slot Screw
Suggested Torque (lbs-in)	35	45	14.75	14.75	35	45
Termination Type	Pressure Plate	Pressure Plate	Pressure Plate	Pressure Plate	Pressure Plate	Pressure Plate
Wire Range (Solid/Stranded CU)	#2 - #14	#1/0 - #14	#6 - #14	#6 - #14	#2 - #14	#2 - #14
Load Break Disconnect	No	No	No	No	No	No

Agency Approvals	US14 Series	US22 Series	USCC Series	USM Series	US3J Series	US6J Series
UL 512, Guide IZLT, File E52283 (Listed)	—	—	Yes	—	Yes	Yes
UL 512, Guide IZLT2, File E52283 (Recognized)	Yes	Yes	—	Yes	—	—
CSA C22.2, Class 6225, File 32169	Yes	Yes	Yes	Yes	Yes	Yes
IEC 269	Yes	Yes	—	Yes	Yes	Yes

	US14 Series	US22 Series	USCC Series	USM Series	US3J Series	US6J Series
ULTRASAFE Fuse Holders will Accommodate the Following Ferraz Shawmut Fuses:	60gD14, A70QS, A70P, URC, URD, ASOP, A30QS, AZSX, AZy, A6g-11	60gD22, A70QS, URD	ATDR, ATMR, ATQR	ATM, OTM, TRM, ATQ, A60Q, A15QS, A13X, A25X, A25Z, A30Z-TYPE 2, A6Y-TYPE 2B, GGU	AJT, A4J, HSJ	AJT, A4J, HSJ



Your Global Resource

With products to meet every major global standard and a worldwide sales and service network, Ferraz Shawmut offers a range of solutions unmatched in the industry. Plus technical and applications support that combine our global expertise with local, customer-first service. So whatever and wherever your circuit protection needs may be, there is one company that can meet them all.

Outline Dimensions - mm (in.)

Dimension	US14 Series		US22 Series		Class CC & Midget Series		US3J Series		US6J Series	
	mm	in	mm	in	mm	in	mm	in	mm	in
A	26.5	1.04	35.0	1.38	17.5	0.69	32.5	1.28	40	1.57
B	53.0	2.09	70.0	2.76	35.0	1.38	65	2.56	80	3.15
C	79.5	3.13	105.0	4.13	52.5	2.07	97.5	3.84	120	4.72
D	—	—	—	—	70.0	2.76	—	—	—	—
E	107.0	4.21	124.0	4.88	78.0	3.07	114	4.49	122	4.80
F	3.8	0.15	3.8	0.15	2.5	0.10	3	0.12	3	0.12
G	94.0	3.70	103.0	4.06	78.0	3.07	106	4.17	115	4.43
H	76.5	3.01	76.5	3.01	59.0	2.32	80	3.15	89	3.50
I	50.5	1.99	50.5	1.99	42.5	1.67	56	2.20	62	2.44
J	6.5	0.26	6.5	0.26	5.0	0.20	6.5	0.26	6.5	0.26
K	45.0	1.77	45.0	1.77	45.0	1.77	—	—	—	—

**“ . . . ease-of-use
— and safety —
come built right in.”**

A relentless pursuit of protection for electrical components, systems—and the people who use them.

Ferraz Shawmut is an international company manufacturing the widest range of circuit protection solutions in the electrical industry. Drawing on a century of experience—and an ongoing commitment to critical research in electrical safety—we provide industrial, commercial, and OEM customers with innovative products and technical support teams to increase effectiveness, simplify applications, and enhance productivity. Learn more about our circuit protection solutions at us.ferrazshawmut.com.

For more information,
visit our website at
us.ferrazshawmut.com.

USA
374 Merrimac Street
Newburyport, MA 01950
T: 978-462-6662
F: 978-462-0181
us.ferrazshawmut.com

France
1, rue Jean Noel
F-69100 Villeurbanne
France
T: +33 (0)4 72 22 66 11
F: +33 (0)4 72 22 67 13

Canada
88 Horner Avenue
Toronto, Ontario, Canada M8Z 5Y3
T: 416-252-9371
Toll-Free T: 800-267-8727
F: 416-252-6572
Toll-Free F: 800-387-3329

©2007 Ferraz Shawmut. All rights reserved.

BR-ULTRAFB-001